



IBI

S L E E V E S



- Adapter Sleeves
- Withdrawal Sleeves
- Lock Nuts
- Lock Washers

Precision Bearing Accessories

PRODUCT
CATALOGUE

COMPANY PROFILE

In a world shaped by population growth, urbanization, digitalization and environmental concerns, Industrial reality is the true challenge. And that's exactly where we at DPK INDIA want to be, right at the center, providing reliable rotation for the real world.

Keeping this in mind, solid foundation was laid by a futuristic visionary and owner of the company Mr. Naresh Gupta in 1972. Fulfilling the dream of its founder, we have expertise in manufacturing of bearings and bearing accessories. But what we're really offering is an arena for innovation – an opportunity for our customers to use the tools we provide to explore, improve or rethink the performance of their rotating equipment, A place where even the smallest adjustment can make a big difference.

Though we started as a Bearing Manufacturer, in year 2001 we diversified our business in manufacturing of bearing accessories i.e. Adaptor sleeves, withdrawal sleeve, locking nuts, locking washers. The focus of DPK INDIA is to offer high-quality, cost-effective bearing accessories to our current and potential customer base. In year 2005 we took over “IBI Engineering Industries PVT LTD” (Brand Name IBI), a company well know to Indian Industry since 1952.

Commitment to excellence in quality and capability of producing parts with special measures on client request have earned this company global recognition. Relationships developed with our customers allowed us to be problem solvers on current applications as well as insightful on new product designs.

Ultimately our goal is to be a procurement partner with our current and potential customers, whether that be industrial distributors, OEM or wholesalers.

We look forward to learning more about your company and providing better products to meet all your application needs.



ABOUT SLEEVES

Adapter Sleeves are used to secure a tapered bore bearing on cylindrical shaft seatings. Whereas, Withdrawal Sleeves can be used to mount bearings with a tapered bore bearing on cylindrical seats of stepped shafts. The tensile strength of the material is at least 430 N/mm². The outside surface of the sleeve has a taper of 1:12. In series H240 and H 241, the taper is 1:30.

The material used i.e. C20 or C30 of IS 2073-1970 For the manufacturing of our product on CNC Machines to achieve the highest level of accuracy and our every component passes through the stringent quality controls from raw materials to final dimensional accuracy.

DESIGNATION

	PREFIX
• Adapter Sleeve suitable for metric (mm) size shaft -	H
• Adapter Sleeve suitable for inch size shaft in multiple of 1/4" -	HE
• Adapter Sleeve suitable for inch size shaft in multiple of 1/16" -	HA
• Adapter Sleeve suitable for inch size shaft in multiple of 7/8" -	HS
• Adapter Sleeve with oil injection groove with duct -	OH
• Withdrawal sleeve suitable for metric (mm) size shaft -	AH
• Withdrawal sleeve with altered thread dia. And/or bore dia. In order to give full conformity to ISO standards.	AHX
• Withdrawal Sleeve having oil injection groove and duct -	AOH

INDEX

ADAPTER SLEEVES

17mm - 35mm	3/4" - 1.3/8"	06
40mm - 60mm	1.7/6" - 2.1/8"	07
60mm - 75mm	2.3/16" - 3"	08
80mm - 100mm	3/16" - 4"	09
110mm - 135mm	4.3/16" - 5.1/4"	10

ADAPTER & HYDRAULIC SLEEVES

140mm - 150mm	5.7/16" - 6"	11
160mm - 170mm	6.7/16" - 6.15/16"	12
180mm - 200mm	7" - 7.3/16"	13
220mm - 240mm		14
260mm - 300mm		15
300mm - 340mm		16
340mm - 380mm		17
380mm - 410mm		18
410mm - 450mm		19
450mm		20

WITHDRAWAL SLEEVES

35mm - 85mm		21
90mm - 120mm		22

WITHDRAWAL SLEEVES & HYDRAULIC WITHDRAWAL SLEEVES

125mm - 150mm		23
160mm - 180mm		24
190mm - 280mm		25
300mm - 400mm		26
420mm - 460mm		27

LOCK NUT		28
----------	--	----

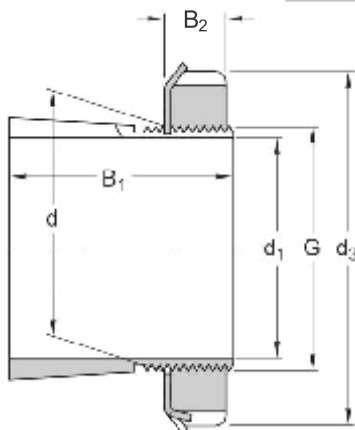
LOCKING CLIP		30
--------------	--	----

LOCK WASHERS		31
--------------	--	----

ADAPTER SLEEVE

17mm - 35mm

3/4" - 1 3/8"

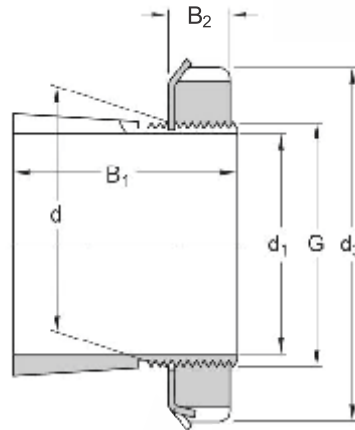


d1	Adapter sleeve Complete Set	d	d3	B1	B2	G	MASS kg	Lock Nut	Locking Washer	Appropriate Bearing
04	17mm H 204	20	32	24	7	M20x1	0.036	KM 4	MB 4	1204 K
	H 304		32	28	7	M20x1	0.04	KM 4	MB 4	2204 K, 1304 K
	H 2304		32	31	7	M20x1	0.05	KM 4	MB 4	2304 K
05	20mm H 205	25	38	26	8	M25x1.5	0.064	KM 5	MB 5	1205 K
	H 305		38	29	8	M25x1.5	0.071	KM 5	MB 5	2205K, 1305K, 22205K, UK205
	H 305 C		38	29	8	M25x1.5	0.071	KM 5	MB 5 C	2205E-2RS1K
	H 2305		38	35	8	M25x1.5	0.085	KM 5	MB 5	2305 K, UK205, UKX05, UK305
06	3/4" HE205	25	38	26	8	M25x1.5	0.07	KM 5	MB 5	1205K,
	HE305		38	29	8	M25x1.5	0.08	KM 5	MB 5	2205K, 1305K, UK205
	HE2305		38	35	8	M25x1.5	0.09	KM 5	MB 5	2305K, UKX05, UK305
06	25mm H 206	30	45	27	8	M30x1.5	0.086	KM 6	MB 6	1206 K
	H 306		45	31	8	M30x1.5	0.095	KM 6	MB 6	2206 K, 1306 K, 22206 K, UK206
	H 306C		45	31	8	M30x1.5	0.095	KM 6	MB 6 C	2206E-2RS1K
	H 2306		45	38	8	M30x1.5	0.11	KM 6	MB 6	2306 K, UK206, UKX06, UK306
07	7/8" HS206	30	45	27	8	M30x1.5	0.11	KM6	MB 6	1206K
	HS306		45	31	8	M30x1.5	0.12	KM 6	MB 6	2206K, 1306K,
	HS2306		45	38	8	M30x1.5	0.14	KM 6	MB 8	UKX06, UK206
07	15/16" HA206	30	45	27	8	M30x1.5	0.1	KM 6	MB 6	1206K
	HA306		45	31	8	M30x1.5	0.12	KM 6	MB 6	2206K, 1306K
	HA2306		45	38	8	M30x1.5	0.13	KM 6	MB 6	2306K, UKX06, UK306
07	1" HE206	30	45	27	8	M30x1.5	0.8	KM 6	MB 6	1206K
	HE306		45	31	8	M30x1.5	0.1	KM 6	MB 6	2206K, 1306K, UK206
	HE2306		45	38	8	M30x1.5	0.11	KM 6	MB 6	2306K, UKX06, UK306
07	30mm H 207	35	52	29	9	M35x1.5	0.12	KM 7	MB 7	1207 K
	H 307		52	35	9	M35x1.5	0.14	KM 7	MB 7	2207 K, 1307 K, 22207 K, UK207
	H 307 C		52	35	9	M35x1.5	0.14	KM 7	MB 7 C	2207E-2RS1K
	H 2307		52	43	9	M35x1.5	0.16	KM 7	MB 7	2307 K, UK207, UKX07, UK307
07	1-1/8" HS207	35	52	29	9	M35x1.5	0.14	KM7	MB 7	1207K
	HS307		52	35	9	M35x1.5	0.16	KM 7	MB 7	2207K, 1307K, 22207K, UK207
07	1-3/16" HA207	35	52	29	9	M35x1.5	0.12	KM 7	MB 7	1207K
	HA307		52	35	9	M35x1.5	0.14	KM 7	MB 7	2207K, 1307K, 22207K, UK207
	HA2307		52	43	9	M35x1.5	0.16	KM 7	MB 7	2307K, UKX07, UK307
08	35mm H 208	40	58	31	10	M 40x1.5	0.16	KM 8	MB 8	1208 K
	H 308		58	36	10	M 40x1.5	0.17	KM 8	MB 8	2208 K, 1308 K, 22208 K, UK208, 21308 K
	H 308 C		58	36	10	M 40x1.5	0.17	KM 8	MB 8 C	2208E-2RS1K
	H 2308		58	46	10	M 40x1.5	0.22	KM 8	MB 8	2308 K, 22308 K, UK208, UKX08, UK308
08	1-1/4" HE208	40	58	31	10	M40x1.5	0.19	KM 8	MB 8	1208K
	HE308		58	36	10	M40x1.5	0.22	KM 8	MB 8	2208K, 1308K, 22208K, 21308K, UK208
	HE2308		58	46	10	M40x1.5	0.28	KM 8	MB 8	2308K, 22308K, UKX08, UKX308
08	1-3/8" HS208	40	58	31	10	M40x1.5	0.16	KM 8	MB 8	1208K
	HS308		58	36	10	M40x1.5	0.17	KM 8	MB 8	2208K, 1308K, 22208K, 21308K, UK208

ADAPTER SLEEVE

40mm - 60mm

1 7/16" - 2 1/8"

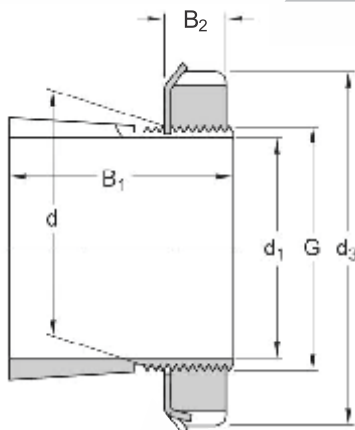


	d1	Adapter sleeve Complete Set	d	d3	B1	B2	G	MASS kg	Lock Nut	Locking Washer	Appropriate Bearing	
09	40mm	H 209	45	65	33	11	M 45x1.5	0.21	KM 9	MB 9	1209 K	
		H 309		65	39	11	M 45x1.5	0.23	KM 9	MB 9	2209K,1309K,22209 K,UK209, 21309 K	
		H 309 C		65	39	11	M 45x1.5	0.23	KM 9	MB 9 C	2209E-2RS1K	
		H 2309		65	50	11	M 45x1.5	0.27	KM 9	MB 9	2309 K, 22309 K, UK209, UKX09, UK309	
	1-7/16"	HA209	45	65	33	11	M45x1.5	0.26	KM 9	MB 9	1209K	
		HA309		65	39	11	M45X1.5	0.29	KM 9	MB 9	2209K, 1309K, 22209K, 21309K	
		HA2309		65	50	11	M45x1.5	0.27	KM 9	MB 9	2309K, 22309K, UKX09, UK309	
	1-1/2"	HE209	45	65	33	11	M45x1.5	0.2	KM 9	MB 9	1209K	
		HE309		65	39	11	M45x1.5	0.24	KM 9	MB 9	2209K, 1309K, 22209K, 21309K, UK209	
		HE2309		65	50	11	M45X1.5	0.31	KM 9	MB 9	2309K, 22309K, UKX09, UK309	
	10	45mm	H 210	50	70	35	12	M 50x1.5	0.24	KM 10	MB 10	1210 K
			H 310		70	42	12	M 50x1.5	0.27	KM 10	MB 10	2210 K,1310 K, 22210 K, UK210, 21310 K
H 310 C				70	42	12	M 50x1.5	0.27	KM 10	MB 10 C	2210-2RS1 K	
H 2310				70	55	12	M 50x1.5	0.34	KM 10	MB 10	2310K, 22310K, Uk210, UKX10, UK310	
1-5/8"		HS210	50	70	35	12	M50x1.5	0.31	KM 10	MB 10	1210K	
		HS310		70	42	12	M50x1.5	0.36	KM 10	MB 10	2210K, 1310K, 22210K, 21310K, UK210	
		HS2310		70	55	12	M50x1.5	0.4	KM 10	MB 10	2310K, 22310K	
1-11/16"		HA210	50	70	35	12	M50X1.5	0.28	KM 10	MB 10	1210K	
		HA310		70	42	12	M50x1.5	0.32	KM 10	MB 10	2210K, 1310K, 22210K, 213100K, UK210	
		HA2310		70	55	12	M50x1.5	0.4	KM 10	MB 10	2310K, 22310, UKX10, UK310	
1-3/4"		HE210	50	70	35	12	M50X1.5	0.26	KM 10	MB 10	1210K	
		HE310		70	42	12	M50X1.5	0.29	KM 10	MB 10	2210K, 1310K, 22210K, 21310K, UK210	
	HE2310		70	55	12	M50X1.5	0.36	KM 10	MB 10	2310K, 22310K, UKX10, UK310		
11	50mm	H 211	55	75	37	12.5	M 55x2	0.28	KM 11	MB 11	1211 K	
		H 311		75	45	12.5	M 55x2	0.32	KM 11	MB 11	2211K, 1311K, 22211K, UK211, 21311 K	
		H 311 C		75	45	12.5	M 55x2	0.32	KM 11	MB 11 C	2211E-2RS1K	
		H 2311		75	59	12.5	M 55x2	0.39	KM 11	MB 11	2311K, 22311 K, UK211, UKX11, UK311	
	1-7/8"	HS211	50	75	37	12.5	M55X2	0.33	KM 11	MB 11	1211K	
		HS311		75	45	12.5	M55X2	0.38	KM 11	MB 11	2211K, 1311K, 22211K, 21311K, UK211	
	1-15/16"	HA211	55	75	37	12.5	M55X2	0.3	KM11	MB 11	1211K	
		HA311		75	45	12.5	M55X2	0.34	KM 11	MB 11	2211K, 1311K, 22211K, 21311K, UK211	
		HA2311		75	59	12.5	M55X2	0.42	KM 11	MB 11	2311K, 22311K	
	2"	HE211	55	75	37	12.5	M55X2	0.26	KM 11	MB 11	1211K	
		HE311		75	45	12.5	M55X2	0.29	KM 11	MB 11	2211K, 1311K, 22211K, 21311K, UK211	
		HE2311		75	59	12.5	M55X2	0.36	KM 11	MB 11	2311K, 22311K, UKX11, UK311	
12	55mm	H 212	60	80	38	13	M 60x2	0.31	KM 12	MB 12	1212 K	
		H 312		80	47	13	M 60x2	0.36	KM 12	MB 12	2212 K,1312 K , 22212 K,UK212, 21312 K	
		H 2312		80	62	13	M 60x2	0.45	KM 12	MB 12	2312 K, 22312 K, UK212, UKX12, UK312	
	2-1/8"	HS212	60	80	38	13	M60X2	0.35	KM 12	MB 12	1212K	
		HS312		80	47	13	M60X2	0.4	KM 12	MB 12	2212K, 1312K, 22212K, 21312K, UK212	
		HS2312		80	62	13	M60X2	0.49	KM 12	MB 12	2312K, 22312K	
13	60mm	H 213	65	85	40	14	M65x2	0.36	KM 13	MB 13	1213 K	
		H 313		85	50	14	M65x2	0.42	KM 13	MB 13	2213 K, 1313K, 22213K, 21313K, UK213	
		H 2313		85	65	14	M65X2	0.52	KM 13	MB 13	2313K, 22313K	

ADAPTER SLEEVE

60mm - 75mm

2³/₁₆" - 3"

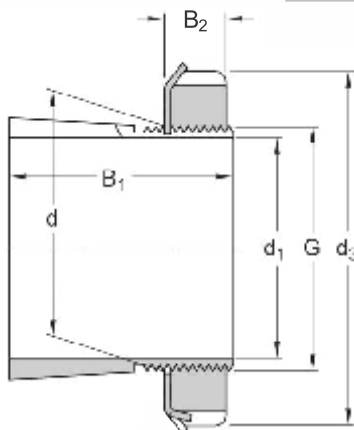


d1	Adapter sleeve Complete Set	d	d3	B1	B2	G	MASS kg	Lock Nut	Locking Washer	Appropriate Bearing	
13	2-3/16"	HA213	65	85	40	14	M65X2	0.49	KM 13	MB 13	1213K
		HA313		85	50	14	M65X2	0.58	KM 13	MB 13	2213K, 1313K, 22213K, 22213K, 21313K
		HA2313		85	65	14	M65X2	0.75	KM 13	MB 13	2313K, 22313K
	2-1/4"	HE213	65	85	40	14	M65X2	0.44	KM 13	MB 13	1213K
		HE313		85	50	14	M65X2	0.52	KM 13	MB 13	2213K, 1313K, 22213K, 21313K, UK213
		HE2313		85	65	14	M65X2	0.65	KM 13	MB 13	2313K, 22313K, UKX13, UK313
	2-3/8"	HS213	65	85	40	14	M65X2	0.44	KM 13	MB 13	1213K
		HS313		85	50	14	M65X2	0.71	KM 13	MB 13	2213K, 1313K, 22213K, 21313K, UK213
		HS2313		85	65	14	M65X2	0.8	KM 13	MB 13	2313K, 22315K
14	60mm	H 214	70	92	52	14	M70x2	0.67	KM 14	MB 14	22214K, 21314K
		H 2314		92	68	14	M70x2	0.88	KM 14	MB 14	22134K
	65mm	H 215	75	98	43	15	M75x2	0.66	KM 15	MB 15	1215K
		H 315		98	55	15	M75x2	0.78	KM 15	MB 15	2215 K, 1315K, 22215K, 21315K, UK215
		H 2315		98	73	15	M75x2	1.10	KM 15	MB 15	2315K, 22315K, UK215, UKX15, UK315
	2-7/16"	HA215	75	98	43	15	M75X2	0.75	KM 15	MB 15	1215K
		HA315		98	55	15	M75X2	0.91	KM 15	MB 15	2215K, 1315K, 22215K, 21315K, UK215
		HA2315		98	73	15	M75X2	1.15	KM 15	MB 15	2315K, 22315K
	2-1/2"	HE215	75	98	43	15	M75X2	0.72	KM 15	MB 15	1215K, RL24K
HE315			98	55	15	M75X2	0.85	KM 15	MB 15	2215K, 1315K, 22215K, 21315K, UK215	
HE2315			98	73	15	M75X2	1.05	KM 15	MB 15	2315K, 22315K	
2-5/8"	HS215	75	98	43	15	M75X2	0.7	KM 15	MB 15	1215K	
	HS315		98	55	15	M75X2	0.71	KM 15	MB 15	2215K, 1315K, 22215K, 21315K	
	HS2315		98	73	15	M75X2	0.9	KM 15	MB 15	2315K, 22315K	
16	70mm	H 216	80	105	46	17	M80x2	0.81	KM 16	MB 16	1216K
		H 316		105	59	17	M80x2	0.95	KM 16	MB 16	2216K, 1316K, 22216K, 21316K, UK216
		H 2316		105	78	17	M80x2	1.20	KM 16	MB 16	2316K, 22316K, UK216, UKX16, UK316
	2-11/16"	HA216	80	105	46	17	M80X2	0.87	KM 16	MB 16	1216K
		HA316		105	59	17	M80X2	1.05	KM 16	MB 16	2216K, 1316K, 22216K, 21316K, UK216
		HA2316		105	78	17	M80X2	1.3	KM 16	MB 16	2316K, 22316K
	2-3/4"	HE216	80	105	46	17	M80X2	0.81	KM 16	MB 16	1216K
		HE316		105	59	17	M80X2	0.97	KM 16	MB 16	2216K, 1316K, 22216K, 21316K, UK216
		HE2316		105	78	17	M80X2	1.2	KM 16	MB 16	2316K, 22316K
17	75mm	H 217	85	110	50	18	M85x2	0.94	KM 17	MB 17	1217K
		H 317		110	63	18	M85x2	1.10	KM 17	MB 17	2217K, 1317K, 22217K, 21317K, UK217
		H 2317		110	82	18	M85x2	1.35	KM 17	MB 17	2317K, 22317K, UK217, UKX17, UK317
	2-15/16"	HA217	85	110	50	18	M85X2	0.94	KM 17	MB 17	1217K
		HA317		110	63	18	M85X2	1.1	KM 17	MB 17	2217K, 1317K, 21317K, UK217
		HA2317		110	82	18	M85X2	1.4	KM 17	MB 17	2317K, 22317K
	3"	HE217	85	110	50	18	M85X2	0.87	KM 17	MB 17	1217K
		HE317		110	63	18	M85X2	1	KM 17	MB 17	2217K, 1317K, 22217K, 21317K, UK217
		HE2317		110	82	18	M85X2	1.3	KM 17	MB 17	2317K, 22317K, UK317

ADAPTER SLEEVE

80mm - 100mm

3³/₁₆" - 4"

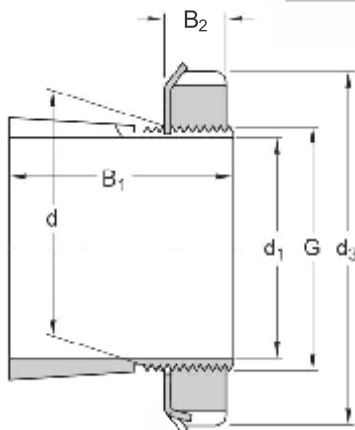


d1	Adapter sleeve Complete Set	d	d3	B1	B2	G	MASS kg	Lock Nut	Locking Washer	Appropriate Bearing	
18	80mm H 218 H 318 H 2318	90	120	52	18	M90x2	1.10	KM 18	MB 18	1218K	
			120	65	18	M90x2	1.30	KM 18	MB 18	2218K, 1318K, 22218K, 21318K, UK218	
			120	86	18	M90x2	1.60	KM 18	MB 18	2318K, 23218K, 22318K, UK218, UKX18	
	3-3/16"	HA218 HA318 HA2318	90	120	52	18	M90X2	1.05	KM 18	MB 18	1218K
				120	65	18	M90X2	1.25	KM 18	MB 18	2218K, 1318K, 22218K, 21318K
				120	86	18	M90X2	1.5	KM 18	MB 18	2318K, 22318K
	3-1/4"	HE218 HE318 HE2318	90	120	52	18	M90X2	0.97	KM 18	MB 18	1218K
				120	65	18	M90X2	1.1	KM 18	MB 18	2218K, 1318K, 22218K, 21318K
				120	86	18	M90X2	1.4	KM 18	MB 18	2318K, 22318K, UK318
19	85mm H 219 H 319 H 2319	95	125	55	19	M95x2	1.25	KM 19	MB 19	1219K	
			125	68	19	M95x2	1.40	KM 19	MB 19	2219K, 1319K, 22219K, 21319K	
			125	90	19	M95x2	1.60	KM 19	MB 19	2319K, 22319K, UK319	
	HE219 HE319 HE2319	95	125	55	19	M95X2	1.35	KM 19	MB 19	1219K	
			125	68	19	M95X2	1.6	KM 19	MB 19	2219K, 1319K, 22219K, 21319K	
			125	90	19	M95X2	2	KM 19	MB 19	2319K, 22319K, UK319	
20	90mm H 220 H 320 H 2320 H 3120	100	130	58	20	M100x2	1.40	KM 20	MB 20	1220K	
			130	71	20	M100x2	1.60	KM 20	MB 20	2220K, 1320K, 22220K, 21320K, UK220	
			130	97	20	M100x2	2.00	KM 20	MB 20	2320K, 22320K, 22320K, UKX20, UK320	
			130	76	20	M100x2	1.80	KM 20	MB 20	23120K	
	3-7/16"	HA220 HA320 HA2320	100	130	58	20	M100X2	1.55	KM 20	MB 20	1220K
				130	71	20	M100X2	1.8	KM 20	MB 20	2220K, 1320K, 22220K, 21320K
				130	97	20	M100X2	2.35	KM 20	MB 20	2320K, 23220K, 22320K
	3-1/2"	HE220 HE320 HE2320 HE3120	100	130	58	20	M100X2	1.45	KM 20	MB 20	1220K
				130	71	20	M100X2	1.75	KM 20	MB 20	2220K, 1320K, 22220K, 21320K
				130	97	20	M100X2	2.2	KM 20	MB 20	2320K, 23220K, 22320K, UK320
				130	76	20	M100X2	1.8	KM 20	MB 20	23120K
	21	95mm H 221 H 321	105	140	60	20	M105x2	1.60	KM 21	MB 21	1221K
140				74	20	M 105x2	1.85	KM 21	MB 21	2221K, 1321K	
22	100mm H 222 H 322 H 2322 H 3122	110	145	63	21	M 110x2	1.80	KM 22	MB 22	1222K	
			145	77	21	M 110x2	2.05	KM 22	MB 22	2222K, 1322K, 23022K, 22222K, 21322K	
			145	105	21	M 110X2	2.75	KM 22	MB 22	2322K, 23222K, 22322K, UK322	
			145	81	21	M 110X2	2.10	KM 22	MB 22	23122K	
	4"	HE222 HE322 HE2322 HE3122	110	145	63	21	M110X2	1.65	KM 22	MB 22	1222K
				145	77	21	M110X2	1.9	KM 22	MB 22	2222K, 1322K, 23022K, 22222K, 21322K
				145	105	21	M110X2	2.4	KM 22	MB 22	2320K, 23220K, 22320K, UK322
				145	81	21	M110X2	2.25	KM 22	MB 22	21322K

ADAPTER SLEEVE

110mm - 135mm

4³/₁₆" - 5¹/₄"

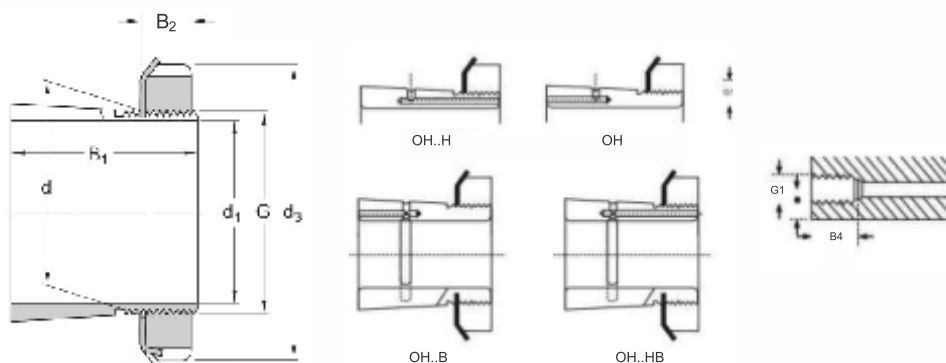


	d1	Adapter sleeve Complete Set	d	d3	B1	B2	G	MASS kg	Lock Nut	Locking Washer	Appropriate Bearing
24	110MM	H 3024	120	145	72	22	M 120X2	1.80	KML 24	MBL 24	1224K, 23024K
		H 3124		155	88	22	M 120X2	2.50	KM 24	MB 24	23124K, 22224K
		H 2324		155	112	22	M 120X2	3.00	KM 24	MB 24	23224K, 22324K, UK324
	4-3/16"	HA3024	120	145	72	22	M120X2	2.25	KML24	MBL24	1224K, 23024K
		HA3124		155	88	22	M120X2	2.9	KM24	MB24	2224K, 23124K
		HA2324		155	112	22	M120X2	3.6	KM24	MB24	23224K, 22324K
	4-1/4"	HE3024	120	145	72	22	M120X2	2	KML24	MBL24	1224K, 23024K
		HE3124		155	88	22	M120X2	2.8	KM24	MB24	2224K, 23124K
		HE2324		155	112	22	M120X2	3.35	KM24	MB24	23224K, 22324K, UK324
26	115MM	H 3026	130	155	80	23	M 130X2	2.80	KML 26	MBL 26	23026K
		H 3126		165	92	23	M 130X2	3.45	KM 26	MB 26	23126K, 22226K
		H 2326		165	121	23	M 130X2	4.45	KM 26	MB 26	23226K, 22326K, UK326
	4-7/16"	HA3026	130	155	80	23.0	M130X2	2.85	KML26	MBL26	23026K
		HA3126		165	92	23.0	M130X2	3.75	KM26	MB26	23126K, 22226K
		HA2326		165	121	23.0	M130X2	4.75	KM26	MB26	23226K, 22326K
	4-1/2"	HE3026	130	155	80	23	M130X2	2.9	KML26	MBL26	23026K
		HE3126		165	92	23	M130X2	3.6	KM26	MB26	23126K, 22226K
		HE2326		165	121	23	M130X2	4.55	KM26	MB26	23226K, 22326K, UK326
28	125MM	H 3028	140	165	82	24.0	M 140X2	3.05	KML 28	MBL 28	23028K
		H 3128		180	97	24.0	M 140X2	4.1	KM 28	MB 28	23128K, 22228K
		H 2328		180	131	24.0	M 140X2	5.4	KM 28	MB 28	23228K, UK328, 22328K
	4-15/16"	HA3028	140	165	82	24	M140X2	3	KML28	MBL28	23028K
		HA3128		180	97	24	M140X2	4.1	KM28	MB28	23128K, 22228K
		HA2328		180	133	24	M140X2	5.3	KM28	MB28	23228K, 22328K
	5"	HE3028	140	165	82	24	M140X2	2.8	KML28	MBL28	23028K
		HE3128		180	97	24	M140X2	3.15	KM28	MB28	23128K, 22228K
		HE2328		180	133	24	M140X2	5	KM28	MB28	23228K, 22328K, UK328
30	135MM	H 3030	150	180	87	26.0	M150X2	3.75	KML 30	MBL 30	23030K
		H 3130		195	111	26.0	M 150X2	5.25	KM 30	MB 30	23130K, 22230K
		H 2330		195	139	26.0	M 150X2	6.4	KM 30	MB 30	23230K, 22330K
	5-3/16"	HA3030	150	180	87	26	M150X2	4.7	KML30	MBL30	23030K
		HA3130		195	111	26	M150X2	5.8	KM30	MB30	23130K, 22230K
		HA2330		195	139	26	M150X2	7.1	KM30	MB30	23230K, 22330K
	5-1/4"	HE3030	150	180	87	26	M150X2	4.65	KML30	MBL30	23030K
		HE3130		195	111	26	M150X2	5.5	KM30	MB30	23130K, 22230K
		HE2330		195	139	26	M150X2	6.8	KM30	MB30	23230K, 22330K

ADAPTER SLEEVE HYDRAULIC SLEEVE

140mm - 150mm

5 7/16" - 6"

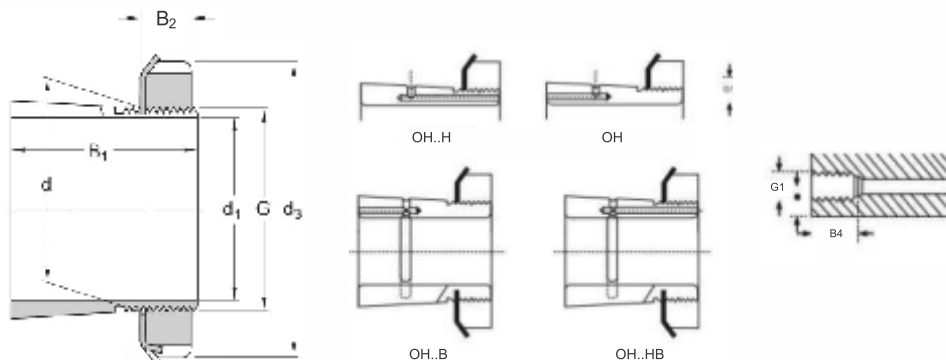


d1	Adapter sleeve Complete Set	d	d3	B1	B2	B3	B4	e	G	G1	in	MASS kg	Lock Nut	Locking Washer	Appropriate Bearing	
32	140mm	H3032	160	190	93	27.5	-	-	-	M160X3	-	-	5.1	KML32	MBL32	23032K
		OH 3032H	190	93	27.5	-	9	4.2	M160X3	M6	-	5.1	KML32	MBL32	23032K	
		OH3032H	190	93	27.5	-	9	4.2	M160X3	M6	-	5.1	KML32	MBL32	23032K	
		OH3032HB	190	93	27.5	-	9	5	M160K3	M6	-	5.1	KML32	MBL32	23032K	
		OH3032	190	93	27.5	-	9	5	M160X3	M6	-	5.1	KML32	MBL32	23032K	
	H3132	210	119	28.0	-	-	-	-	M160X3	-	-	7.25	KM32	MB32	23132K, 22232K	
		OH3132	210	119	28.0	-	9	4.2	M160X3	M6	-	7.25	KM32	MB32	23132K, 22232K	
		OH3132HB	210	119	28.0	-	9	4.2	M160X3	M6	-	7.25	KM32	MB32	23132K, 22232K	
		OH3132	210	119	28.0	-	13	6.8	M160X3	-	G1/8	7.25	KM32	MB32	23132K, 22232K	
		OH3132B	210	119	28.0	-	13	6.8	M160X3	-	G 1/8	7.25	KM32	MB32	23132K, 22232K	
	H2332	210	147	28.0	-	-	-	-	M160X3	-	-	8.8	KM32	MB32	23232K, 22332K	
		OH2332H	210	147	28.0	-	9	4.2	M160X3	M6	-	8.8	KM32	MB32	23232K, 22332K	
		OH2332HB	210	147	28.0	-	9	4.2	M160X3	M6	-	8.8	KM32	MB32	23232K, 22332K	
		OH2332	210	147	28.0	-	13	7	M160X3	-	G1/8	8.8	KM32	MB32	23232K, 22332K	
		OH2332B	210	147	28.0	-	13	7	M170X3	-	G1/8	8.8	KM32	MB32	23232K, 22332K	
	5-7/16"	HA3032	160	190	93	27.5	-	-	-	M160X3	-	-	5.2	KML32	MBL32	23032K
		HA3132	210	119	28	-	-	-	-	M160X3	-	-	7.55	KM32	MB32	23132K, 22232K
		HA2332	210	147	28	-	-	-	-	M160X3	-	-	9.4	KM32	MB32	23232K, 22332K
	5-1/2"	HE3032	160	190	93	27.5	-	-	-	M160X3	-	-	5.1	KML32	MBL32	23032K
		HE3132	210	119	28	-	-	-	-	M160X3	-	-	7.3	KM32	MB32	23132K, 22232K
HE2332		210	147	28	-	-	-	-	M160X3	-	-	8.8	KM32	MB32	23232K, 22332K	
34	150mm	H3034	170	200	101	28.5	-	-	-	M170X3	-	-	5.8	KML34	MBL34	23034K
		OH3034H	200	101	28.5	-	9	4.2	M170X3	M6	-	5.8	KML34	MBL34	23034K	
		OH3034HB	200	101	28.5	-	9	4.2	M170X3	M6	-	5.8	KML34	MBL34	23034K	
		OH3034	200	101	28.5	-	9	5	M170X3	M6	-	5.8	KML34	MBL34	23034K	
		OH3034B	200	101	28.5	-	9	5	M170X3	M6	-	5.8	KML34	MBL34	23034K	
	H3134	220	122	29	-	-	-	-	M170X3	-	-	8.1	KM34	MB34	23134K, 22234K	
		OH3134H	220	122	29	-	9	4.2	M170X3	M6	-	8.1	KM34	MB34	23134K, 22234K	
		OH3134HB	220	122	29	-	9	4.2	M170X3	M6	-	8.1	KM34	MB34	23134K, 22234K	
		OH3134	220	122	29	-	13	7	M170X3	-	G1/8	8.1	KM34	MB34	23134K, 22234K	
		OH3134B	220	122	29	-	13	7	M170X3	-	G1/8	8.1	KM34	MB34	23134K, 22234K	
	H2334	170	220	154	29	-	-	-	-	M170X3	-	-	9.9	KM34	MB34	23234K, 22334K
		OH2334H	220	154	29	-	9	4.2	M170X3	M6	-	9.9	KM34	MB34	23234K, 22334K	
		OH2334HB	220	154	29	-	9	4.2	M170X3	M6	-	9.9	KM34	MB34	23234K, 22334K	
		OH2334	220	154	29	-	13	7	M170X3	-	G1/8	9.9	KM34	MB34	23234K, 22334K	
		OH2334B	220	154	29	-	13	7	M170X3	-	G1/8	9.9	KM34	MB34	23234K, 22334K	
	5-15/16"	HA3034	170	200	101	28.5	-	-	-	M170X3	-	-	5.7	KML34	MBL34	23034K
		HA3134	220	122	29	-	-	-	-	M170X3	-	-	7.8	KM34	MB34	23134K, 22234K
		HA2334	220	154	29	-	-	-	-	M170X3	-	-	9.6	KM34	MB34	23234K, 22334K
	6"	HE3034	170	200	101	28.5	-	-	-	M170X3	-	-	5.4	KML34	MBL34	23034K
		HE3134	220	122	29	-	-	-	-	M170X3	-	-	7.55	KM34	MB34	23134K, 22234K
HE2334		220	154	29	-	-	-	-	M170X3	-	-	9.2	KM34	MB34	23234K, 22334K	

ADAPTER SLEEVE HYDRAULIC SLEEVE

160mm - 170mm

6⁷/₁₆" - 6¹⁵/₁₆"

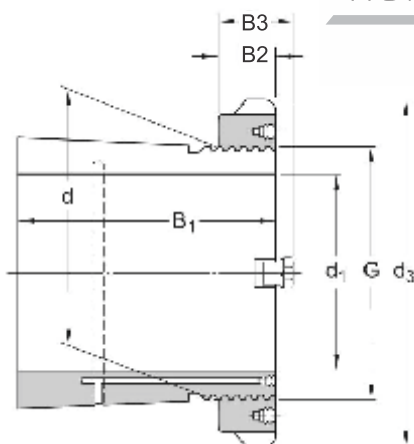


d1	Adapter sleeve Complete Set	d	d3	B1	B2	B3	B4	e	G	G1	in	MASS kg	Lock Nut	Locking Washer	Appropriate Bearing	
36	160mm	H3036	180	210	109	29.5	-	-	-	M180X3	-	-	6.7	KML36	MBL36	23036K
		OH3036H		210	109	29.5	-	9	4.2	M180X3	M6	-	6.7	KML36	MBL36	23036K
		OH3036HB		210	109	29.5	-	9	4.2	M180X3	M6	-	6.7	KML36	MBL36	23036K
		OH3036		210	109	29.5	-	9	5	M180X3	M6	-	6.7	KML36	MBL36	23036K
		OH3036B		210	109	29.5	-	9	5	M180X3	M6	-	6.7	KML36	MBL36	23036K
	180	H3136	230	131	30	-	-	-	-	M180X3	-	-	9.15	KM36	MB36	23136K
		OH3136H	230	131	30	-	9	4.2	M180X3	M6	-	9.15	KM36	MB36	23136K, 22236K	
		OH3136HB	230	131	30	-	9	4.2	M180X3	M6	-	9.15	KM36	MB36	23136K, 22236K	
		OH3136	230	131	30	-	13	7	M180X3	-	G1/8	9.15	KM36	MB36	23136K, 22236K	
		OH3136B	230	131	30	-	13	7	M180X3	-	G1/8	9.15	KM36	MB36	23236K, 22336K	
		H2336	230	161	30	-	-	-	-	M180X3	-	-	11	KM36	MB36	23236K, 22336K
		OH2336H	230	161	30	-	9	4.2	M180X3	M6	-	11	KM36	MB36	23236K, 22336K	
		OH2336HB	230	161	30	-	9	4.2	M180X3	M6	-	11	KM36	MB36	23236K, 22336K	
		OH2336	230	161	30	-	13	7	M180X3	-	G1/8	11	KM36	MB36	23236K, 22336K	
		OH2336B	230	161	30	-	13	7	M180X3	-	G1/8	11	KM36	MB36	23236K, 22336K	
	6-7/16"	HA3036	180	210	109	29.5	-	-	-	M180X3	-	-	6.85	KML36	MBL36	23036K
		HA3136	230	131	30	-	-	-	-	M180X3	-	-	8.15	KM36	MB36	23136K, 22236K
		HA2336	230	161	30	-	-	-	-	M180X3	-	-	9.9	KM36	MB36	23236K, 22336K
6-1/2"	HE3036	180	210	109	29.5	-	-	-	M180X3	-	-	5.55	KM36	MBL36	23036K	
	HE3136	230	131	30	-	-	-	-	M180X3	-	-	7.8	KM36	MB36	23136K, 22236K	
	HE2336	230	161	30	-	-	-	-	M180X3	-	-	9.35	KM36	MB36	23236K, 22336K	
38	170mm	H3038	190	220	112	30.5	-	-	-	M190X3	-	-	7.25	KML38	MBL38	23038K
		OH3038H		220	112	30.5	-	9	4.2	M190X3	M6	-	7.25	KML38	MBL38	23038K
		OH3038HB		220	112	30.5	-	9	4.2	M190X3	M6	-	7.25	KML38	MBL38	23038K
		OH3038		220	112	30.5	-	9	4.2	M190X3	M6	-	7.25	KML38	MBL38	23038K
		OH3038B		220	112	30.5	-	9	4.2	M190X3	M6	-	7.25	KML38	MBL38	23038K
	240	H3138	240	141	31	-	-	-	-	M190X3	M6	-	10.5	KM38	MB38	23138K, 22238K
		OH3138H	240	141	31	-	9	4.2	M190X3	M6	-	10.5	KM38	MB38	23138K, 22238K	
		OH3138HB	240	141	31	-	9	4.2	M190X3	M6	-	10.5	KM38	MB38	23138K, 22238K	
		OH3138	240	141	31	-	13	7	M190X3	-	G1/8	10.5	KM38	MB38	23138K, 22238K	
		OH3138B	240	141	31	-	13	7	M190X3	-	G1/8	10.5	KM38	MB38	23138K, 22238K	
		H2338	240	169	31	-	-	-	-	M190X3	M6	-	12	KM38	MB38	23238K, 22338K
		OH2338H	240	169	31	-	9	4.2	M190X3	M6	-	12	KM38	MB38	23238K, 22338K	
		OH2338HB	240	169	31	-	9	4.2	M190X3	M6	-	12	KM38	MB38	23238K, 22338K	
		OH2338	240	169	31	-	13	7	M190X3	-	G1/8	12	KM38	MB38	23238K, 22338K	
		OH2338B	240	169	31	-	13	7	M190X3	-	G1/8	12	KM38	MB38	23238K, 22338K	
	6-3/4"	HE3038	190	220	112	30.5	-	-	-	M190X3	-	-	7.2	KML38	MBL38	23038K
		HE3138	240	141	31	-	-	-	-	M190X3	-	-	10.2	KM38	MB38	23138K, 22238K
		HE2338	240	169	31	-	-	-	-	M190X3	-	-	11.7	KM38	MB38	23238K, 22338K
6-15/16"	HA3038	190	220	112	30.5	-	-	-	M190X3	-	-	7.2	KML38	MBL38	23038K	
	HA3138	240	141	31	-	-	-	-	M190X3	-	-	8.5	KM38	MB38	23138K, 22238K	
	HA2338	240	169	31	-	-	-	-	M190X3	-	-	10	KM38	MB38	23238K, 22338K	

ADAPTER SLEEVE HYDRAULIC SLEEVE

180mm - 200mm

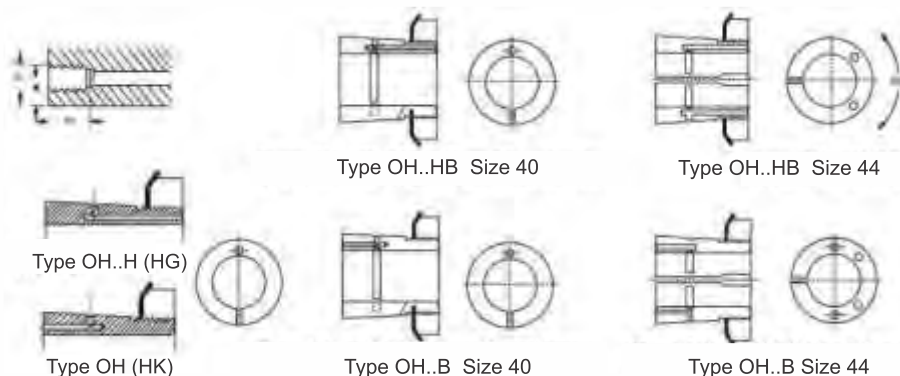
7" - 7 ³/₁₆"



d1	Adapter sleeve Complete Set	d	d3	B1	B2	B3	B4	e	G	G1	in	MASS kg	Lock Nut	Locking Washer	Appropriate Bearing	
40	180	H3040	200	240	120	31.5	-	-	-	M200X3	-	-	8.9	KML40	MBL40	23040K
		OH3040H		240	120	31.5	-	9	4.2	M200X3	M6	-	8.9	KML40	MBL40	23040K
		OH3040HB		240	120	31.5	-	9	4.2	M200X3	M6	-	8.9	KML40	MBL40	23040K
		OH3040		240	120	31.5	-	13	7	M200X3	-	G1/8	8.9	KML40	MBL40	23040K
		OH3040B		240	120	31.5	-	13	7	M200X3	-	G1/8	8.9	KML40	MBL40	23040K
	H3140		250	150	32	-	-	-	M200X3	-	-	12	KM40	MB40	23140K, 22240K	
	OH3140H		250	150	32	-	9	4.2	M200X3	M6	-	12	KM40	MB40	23140K, 22240K	
	OH3140HB		250	150	32	-	9	4.2	M200X3	M6	-	12	KM40	MB40	23140K, 22240K	
	OH3140		250	150	32	-	13	7	M200X3	-	G1/8	12	KM40	MB40	23140K, 22240K	
	OH3140B		250	150	32	-	13	7	M200X3	-	G1/8	12	KM40	MB40	23140K, 22240K	
	OH2340		250	176	32	-	-	-	M200X3	-	-	13.5	KM40	MB40	23240K, 22340K	
	OH2340H		250	176	32	-	9	4.2	M200X3	M6	-	13.5	KM40	MB40	23240K, 22340K	
	OH2340HB		250	176	32	-	9	4.2	M200X3	M6	-	13.5	KM40	MB40	23240K, 22340K	
	OH2340		250	176	32	-	13	8	M200X3	-	G1/8	13.5	KM40	MB40	23240K, 22340K	
	OH2340B		250	176	32	-	13	8	M200X3	-	G1/8	13.5	KM40	MB40	23240K, 22340K	
	7"	HE3040	200	240	120	31.5	-	-	-	M200X3	-	-	9.35	KML40	MBL40	23040K
		HE3140		250	150	32	-	-	-	M200X3	-	-	12.3	KM40	MB40	23140K, 22240K
		HE2340		250	176	32	-	-	-	M200X3	-	-	14.2	KM40	MB40	23240K, 22340K
7-3/16"	HA3040	200	240	120	31.5	-	-	-	M200X3	-	-	8.5	KML40	MBL40	23040K	
	HA3140		250	150	32	-	-	-	M200X3	-	-	10.8	KM40	MB40	23140K, 22240K	
	HA2340		250	176	32	-	-	-	M200X3	-	-	12.6	KM40	MB40	23240K, 22340K	
44	200mm	OH3944H	220	260	96	30	41	9	4.2	Tr220x4	M6	-	7.95	HM3044	MS3044	23944K
		OH3944HB		260	96	30	41	9	4.2	Tr220x4	M6	-	7.95	HM3044	MS3044	23944K
		OH3944		260	96	30	41	9	4.2	Tr220x4	M6	-	7.95	HM3044	MS3044	23944K
		OH3944B		260	96	30	41	9	4.2	Tr220x4	M6	-	7.95	HM3044	MS3044	23944K
		H3944		260	96	30	41	-	-	Tr220x4	-	-	7.95	HM3044	MS3044	23944K
		OH3044H		260	126	30	-	9	4.2	Tr220x4	M6	-	9.9	HM3044	MS3044	23044K
		OH3044HB		260	126	30	-	9	4.2	Tr220x4	M6	-	9.9	HM3044	MS3044	23044K
		OH3044		260	126	30	-	13	7	Tr220x4	-	G1/8	9.9	HM3044	MS3044	23044K
		OH3044B		260	126	30	-	13	7	Tr220x4	-	G1/8	9.9	HM3044	MS3044	23044K
		H3044		260	126	30	-	-	-	Tr220x4	-	-	9.9	HM3044	MS3044	23044K
		OH3144H		280	161	35	-	9	4.2	Tr220x4	M6	-	15	HM44T	MB44	23144K, 22244K
		OH3144HB		280	161	35	-	9	4.2	Tr220x4	M6	-	15	HM44T	MB44	23144K, 22244K
	OH3144		280	161	35	-	13	8	Tr220x4	-	G1/8	15	HM44T	MB44	23144K, 22244K	
	OH3144B		280	161	35	-	13	8	Tr220x4	-	G1/8	15	HM44T	MB44	23144K, 22244K	
	H3144		280	161	35	-	-	-	Tr220x4	-	-	15	HM44T	MB44	23144K, 22244K	
	OH2344H		280	186	35	-	9	4.2	Tr220x4	M6	-	17	HM44T	MB44	23244K, 22344K	
	OH2344HB		280	186	35	-	9	4.2	Tr220x4	M6	-	17	HM44T	MB44	23244K, 22344K	
	OH2344		280	186	35	-	13	8.5	Tr220x4	-	G1/8	17	HM44T	MB44	23244K, 22344K	
	OH2344B		280	186	35	-	13	8.5	Tr220x4	-	G1/8	17	HM44T	MB44	23244K, 22344K	
	H2344		280	186	35	-	-	-	Tr220x4	-	-	17	HM44T	MB44	23244K, 22344K	

ADAPTER SLEEVE HYDRAULIC SLEEVE

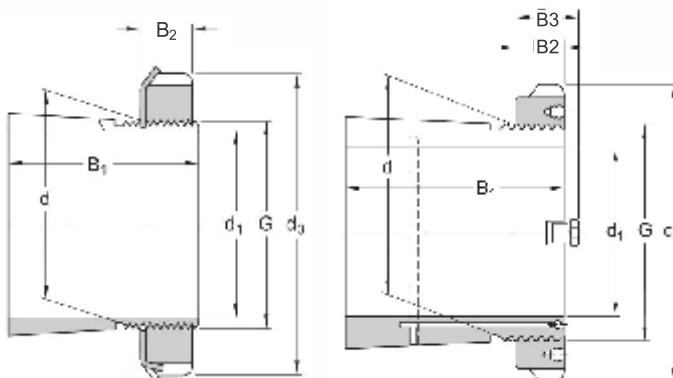
220mm - 240mm



	d1	Adapter sleeve Complete Set	d	d3	B1	B2	B3	B4	e	G	G1	in	MASS kg	Lock Nut	Locking Washer	Appropriate Bearing	
48	220mm	OH3948H	240	290	101	34	46	9	4.2	Tr240x4	M6	-	11	HM3048	MS3052-48	23948K	
		OH3948HB		290	101	34	46	9	4.2	Tr240x4	M6	-	11	HM3048	MS3052-48	23948K	
		OH3948		290	101	34	46	13	6.5	Tr240x4	-	G1/8	11	HM3048	MS3052-48	23948K	
		OH3948B		290	101	34	46	13	6.5	Tr240x4	-	G1/8	11	HM3048	MS3052-48	23948K	
		H3948		290	101	34	46	-	-	Tr240x4	-	-	11	HM3048	MS3052-48	23948K	
			OH3048H		290	133	34	46	9	4.2	Tr240x4	M6	-	12	HM3048	MS3052-48	23048K
			OH3048HB		290	133	34	46	9	4.2	Tr240x4	M6	-	12	HM3048	MS3052-48	23048K
			OH3048		290	133	34	46	13	7	Tr240x4	-	G1/8	12	HM3048	MS3052-48	23048K
			OH3048B		290	133	34	46	13	7	Tr240x4	-	G1/8	12	HM3048	MS3052-48	23048K
			H3048		290	133	34	46	-	-	Tr240x4	-	-	12	HM3048	MS3052-48	23048K
			OH3148H		300	172	37	-	9	4.2	Tr240x4	M6	-	16	HM48T	MB48	23148K, 22248K
			OH3148HB		300	172	37	-	9	4.2	Tr240x4	M6	-	16	HM48T	MB48	23148K, 22248K
		OH3148		300	172	37	-	13	8	Tr240x4	-	G1/8	16	HM48T	MB48	23148K, 22248K	
		OH3148B		300	172	37	-	13	8	Tr240x4	-	G1/8	16	HM48T	MB48	23148K, 22248K	
		H3148		300	172	37	-	-	-	Tr240x4	-	-	16	HM48T	MB48	23148K, 22248K	
		OH2348H		300	199	37	-	9	4.2	Tr240x4	M6	-	19	HM48T	MB48	23248K, 22348K	
		OH2348HB		300	199	37	-	9	4.2	Tr240x4	M6	-	19	HM48T	MB48	23248K, 22348K	
		OH2348		300	199	37	-	13	9.5	Tr240x4	-	G1/8	19	HM48T	MB48	23248K, 22348K	
		OH2348B		300	199	37	-	13	9.5	Tr240x4	-	G1/8	19	HM48T	MB48	23248K, 22348K	
		H2348		300	199	37	-	-	-	Tr240x4	-	-	19	HM48T	MB48	23248K, 22348K	
52	240mm	OH3952H	260	310	116	34	46	9	4.2	Tr260x4	M6	-	11.7	HM3052	MB3052-48	23952K	
		OH3952HB		310	116	34	46	13	4.2	Tr260x4	M6	-	11.7	HM3052	MB3052-48	23952K	
		OH3952		310	116	34	46	13	7	Tr260x4	-	G1/8	11.7	HM3052	MB3052-48	23952K	
		OH3952B		310	116	34	46	-	7	Tr260x4	-	G1/8	11.7	HM3052	MB3052-48	23952K	
		H3952		310	116	34	46	-	-	Tr260x4	-	-	11.7	HM3052	MB3052-48	23952K	
			OH3052H		310	145	34	46	9	4.2	Tr260x4	M6	-	13.5	HM3052	MB3052-48	23052K
			OH3052HB		310	145	34	46	9	4.2	Tr260x4	M6	-	13.5	HM3052	MB3052-48	23052K
			OH3052		310	145	34	46	13	7.5	Tr260x4	-	G1/8	13.5	HM3052	MB3052-48	23052K
			OH3052B		310	145	34	46	13	7.5	Tr260x4	-	G1/8	13.5	HM3052	MB3052-48	23052K
			H3052		310	145	34	46	-	-	Tr260x4	-	-	13.5	HM3052	MB3052-48	23052K
			OH3052H		310	145	34	46	9	4.2	Tr260x4	M6	-	21	HM52T	MB52	23152K, 22252K
			OH3052HB		310	145	34	46	9	4.2	Tr260x4	M6	-	21	HM52T	MB52	23152K, 22252K
			OH3152		330	190	39	-	13	8	Tr260x4	-	G1/8	21	HM52T	MB52	23152K, 22252K
			OH3052B		330	190	39	-	13	8	Tr260x4	-	G1/8	21	HM52T	MB52	23152K, 22252K
			OH3152B		330	190	39	-	13	8	Tr260x4	-	G1/8	21	HM52T	MB52	23152K, 22252K
			H3152		330	190	39	-	-	-	Tr260x4	-	-	21	HM52T	MB52	23152K, 22252K
			OH2352H		330	211	39	-	9	4.2	Tr260x4	M6	-	23	HM52T	MB52	23252K, 22352K
			OH2352HB		330	211	39	-	9	4.2	Tr260x4	M6	-	23	HM52T	MB52	23252K, 22352K
			OH2352		330	211	39	-	13	9	Tr260x4	-	G1/8	23	HM52T	MB52	23252K, 22352K
			OH2352B		330	211	39	-	13	9	Tr260x4	-	G1/8	23	HM52T	MB52	23252K, 22352K
			H2352		330	211	39	-	-	-	Tr260x4	-	-	23	HM52T	MB52	23252K, 22352K

ADAPTER SLEEVE HYDRAULIC SLEEVE

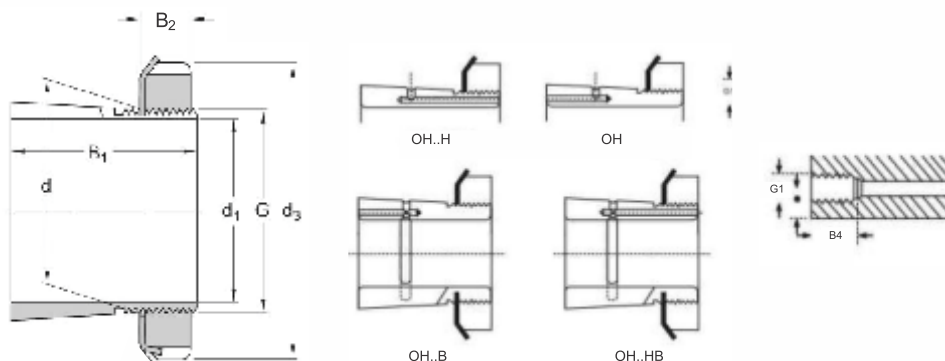
260mm - 300mm



	d1	Adapter sleeve Complete Set	d	d3	B1	B2	B3	B4	e	G	G1	in	MASS kg	Lock Nut	Locking Washer	Appropriate Bearing	
56	260mm	OH3956H	280	330	121	38	50	9	4.2	Tr280x4	M6	-	15.3	HM3056	MS3056	23956K	
		OH3956HB		330	121	38	50	9	4.2	Tr280x4	M6	-	15.3	HM3056	MS3056	23956K	
		OH3956		330	121	38	50	13	7	7	Tr280x4	-	G1/8	15.3	HM3056	MS3056	23956K
		OH3956B		330	121	38	50	13	7	7	Tr280x4	-	G1/8	15.3	HM3056	MS3056	23956K
		H3956		330	121	38	50	-	-	-	Tr280x4	-	-	15.3	HM3056	MS3056	23956K
	OH3056H		330	152	38	50	9	4.2	4.2	Tr280x4	M6	-	16	HM3056	MS3056	23056K	
	OH3056HB		330	152	38	50	9	4.2	4.2	Tr280x4	M6	-	16	HM3056	MS3056	23056K	
	OH3056		330	152	38	50	13	7.5	7.5	Tr280x4	-	G1/8	16	HM3056	MS3056	23056K	
	OH3056B		330	152	38	50	13	7.5	7.5	Tr280x4	-	G1/8	16	HM3056	MS3056	23056K	
	H3056		330	152	38	50	-	-	-	Tr280x4	-	-	16	HM3056	MS3056	23056K	
	OH3156H		350	195	41	-	9	4.2	4.2	Tr280x4	M6	-	23	HM56T	MB56	23156K, 22256K	
	OH3156HB		350	195	41	-	9	4.2	4.2	Tr280x4	M6	-	23	HM56T	MB56	23156K, 22256K	
	OH3156		350	195	41	-	13	8	8	Tr280x4	-	G1/8	23	HM56T	MB56	23156K, 22256K	
	OH3156B		350	195	41	-	13	8	8	Tr280x4	-	G1/8	23	HM56T	MB56	23156K, 22256K	
	H3156		350	195	41	-	-	-	-	Tr280x4	-	-	23	HM56T	MB56	23156K, 22256K	
	OH2356H		350	224	41	-	9	4.2	4.2	Tr280x4	M6	-	27	HM56T	MB56	23256K, 22356K	
	OH2356HB		350	224	41	-	9	4.2	4.2	Tr280x4	M6	-	27	HM56T	MB56	23256K, 22356K	
	OH2356		350	224	41	-	13	9.5	9.5	Tr280x4	-	G1/8	27	HM56T	MB56	23256K, 22356K	
OH2356B		350	224	41	-	13	9.5	9.5	Tr280x4	-	G1/8	27	HM56T	MB56	23256K, 22356K		
H2356		350	224	41	-	-	-	-	Tr280x4	-	-	27	HM56T	MB56	23256K, 22356K		
60	280mm	OH3960H	300	360	140	42	54	9	4.2	Tr300x4	M6	-	20	HM3060	MS3060	23960K	
		OH3960HB		360	140	42	54	9	4.2	Tr300x4	M6	-	20	HM3060	MS3060	23960K	
		OH3960		360	140	42	54	13	7	7	Tr300x4	-	G1/8	20	HM3060	MS3060	23960K
		OH3960B		360	140	42	54	13	7	7	Tr300x4	-	G1/8	20	HM3060	MS3060	23960K
		H3960		360	140	42	54	-	-	-	Tr300x4	-	-	20	HM3060	MS3060	23960K
	OH3060H		360	168	42	54	9	4.2	4.2	Tr300x4	M6	-	20.5	HM3060	MS3060	23060K	
	OH3060HB		360	168	42	54	9	4.2	4.2	Tr300x4	M6	-	20.5	HM3060	MS3060	23060K	
	OH3060		360	168	42	54	13	7.5	7.5	Tr300x4	-	G1/8	20.5	HM3060	MS3060	23060K	
	OH3060B		360	168	42	54	13	7.5	7.5	Tr300x4	-	G1/8	20.5	HM3060	MS3060	23060K	
	H3060		360	168	42	54	-	-	-	Tr300x4	-	-	20.5	HM3060	MS3060	23060K	
	OH3160H		380	208	40	53	9	4.2	4.2	Tr300x4	M6	-	29	HM3160	MS3160	23160K, 22260K	
	OH3160HB		380	208	40	53	9	4.2	4.2	Tr300x4	M6	-	29	HM3160	MS3160	23160K, 22260K	
	OH3160		380	208	40	53	13	9	9	Tr300x4	-	G1/8	29	HM3160	MS3160	23160K, 22260K	
	OH3160B		380	208	40	53	13	9	9	Tr300x4	-	G1/8	29	HM3160	MS3160	23160K, 22260K	
	H3160		380	208	40	53	-	-	-	Tr300x4	-	-	29	HM3160	MS3160	23160K, 22260K	
	OH3260H		380	240	40	53	9	4.2	4.2	Tr300x4	M6	-	32	HM3160	MS3160	23260K	
	OH3260HB		380	240	40	53	9	4.2	4.2	Tr300x4	M6	-	32	HM3160	MS3160	23260K	
	OH3260		380	240	40	53	15	9	9	Tr300x4	-	G1/4	32	HM3160	MS3160	23260K	
OH3260B		380	240	40	53	15	9	9	Tr300x4	-	G1/4	32	HM3160	MS3160	23260K		
H3260		380	240	40	53	-	-	-	Tr300x4	-	-	32	HM3160	MS3160	23260K		
64	300mm	OH3964H	320	380	140	42	55	9	4	Tr320x5	M6	-	21.5	HM3064	MS3068-64	23964K	
		OH3964HB		380	140	42	55	9	4	Tr320x5	M6	-	21.5	HM3064	MS3068-64	23964K	
		OH3964		380	140	42	55	13	7	7	Tr320x5	-	G1/8	21.5	HM3064	MS3068-64	23964K
		OH3964B		380	140	42	55	13	7	7	Tr320x5	-	G1/8	21.5	HM3064	MS3068-64	23964K
		H3964		380	140	42	55	-	-	-	Tr320x5	-	-	21.5	HM3064	MS3068-64	23964K

ADAPTER SLEEVE HYDRAULIC SLEEVE

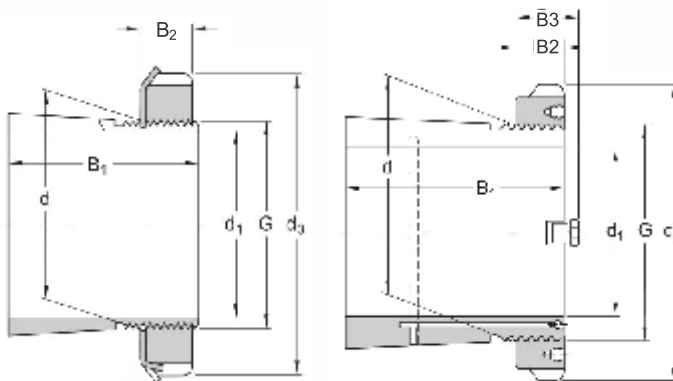
300mm - 340mm



d1	Adapter sleeve Complete Set	d	d3	B1	B2	B3	B4	e	G	G1	in	MASS kg	Lock Nut	Locking Washer	Appropriate Bearing	
64	OH3064H		380	171	42	55	9	4	Tr320x5	M6	-	22.0	HM3064	MS3068-64	23064K	
	OH3064HB		380	171	42	55	9	4	Tr320x5	M6	-	22.0	HM3064	MS3068-64	23064K	
	OH3064		380	171	42	55	13	7.5	Tr320x5	-	G1/8	22.0	HM3064	MS3068-64	23064K	
	OH3064B		380	171	42	55	13	7.5	Tr320x5	-	G1/8	22.0	HM3064	MS3068-64	23064K	
	H3064		380	171	42	55	-	-	Tr320x5	-	-	22.0	HM3064	MS3068-64	23064K	
	OH3164H		400	226	42	56	9	4.0	Tr320x5	M6	-	32.0	HM3164	MS3164	23164K, 22264K	
	OH3164HB		400	226	42	56	9	4.0	Tr320x5	M6	-	32.0	HM3164	MS3164	23164K, 22264K	
	OH3164		400	226	42	56	13	9.5	Tr320x5	-	G1/8	32.0	HM3164	MS3164	23164K, 22264K	
	OH3164B		400	226	42	56	13	9.5	Tr320x5	-	G1/8	32.0	HM3164	MS3164	23164K, 22264K	
	H3164		400	226	42	56	-	-	Tr320x5	-	-	32.0	HM3164	MS3164	23164K, 22264K	
	OH3264H		400	258	42	56	9	4.0	Tr320x5	M6	-	35.0	HM3164	MS3164	23264K	
	OH3264HB		400	258	42	56	9	4.0	Tr320x5	M6	-	35.0	HM3164	MS3164	23264K	
OH3264		400	258	42	56	15	9.0	Tr320x5	-	G1/4	35.0	HM3164	MS3164	23264K		
OH3264B		400	258	42	56	15	9.0	Tr320x5	-	G1/4	35.0	HM3164	MS3164	23264K		
H3264		400	258	42	56	-	-	Tr320x5	-	-	35.0	HM3164	MS3164	23264K		
68	320mm	OH3968H	340	400	144	45	58	9	4.0	Tr340x5	M6	-	24.5	HM3068	MS3068-64	23968K
		OH3968HB		400	144	45	58	9	4.0	Tr340x5	M6	-	24.5	HM3068	MS3068-64	23968K
		OH3968		400	144	45	58	13	7	Tr340x5	-	G1/8	24.5	HM3068	MS3068-64	23968K
		OH3968B		400	144	45	58	13	7	Tr340x5	-	G1/8	24.5	HM3068	MS3068-64	23968K
		H3968		400	144	45	58	-	-	Tr340x5	-	-	24.5	HM3068	MS3068-64	23968K
		OH3068H		400	187	45	58	9	4.0	Tr340x5	M6	-	27.0	HM3068	MS3068-64	23068K
		OH3068HB		400	187	45	58	9	4.0	Tr340x5	M6	-	27.0	HM3068	MS3068-64	23068K
		OH3068		400	187	45	58	13	8.0	Tr340x5	-	G1/8	27.0	HM3068	MS3068-64	23068K
		OH3068B		400	187	45	58	13	8.0	Tr340x5	-	G1/8	27.0	HM3068	MS3068-64	23068K
		H3068		400	187	45	58	-	-	Tr340x5	-	-	27.0	HM3068	MS3068-64	23068K
		OH3168H		440	254	55	72	9	4.0	Tr340x5	M6	-	50.0	HM3168	MS3172-68	23168K
		OH3168HB		440	254	55	72	9	4.0	Tr340x5	M6	-	50.0	HM3168	MS3172-68	23168K
		OH3168		440	254	55	72	15	9.5	Tr340x5	-	G1/4	50.0	HM3168	MS3172-68	23168K
		OH3168B		440	254	55	72	15	9.5	Tr340x5	-	G1/4	50.0	HM3168	MS3172-68	23168K
		H3168H		440	254	55	72	-	-	Tr340x5	-	-	50.0	HM3168	MS3172-68	23168K
		OH3268H		440	288	55	72	9	4.0	Tr340x5	M6	-	51.5	HM3168	MS3172-68	23268K
		OH3268HB		440	288	55	72	9	4.0	Tr340x5	M6	-	51.5	HM3168	MS3172-68	23268K
		OH3268		440	288	55	72	15	10.0	Tr340x5	-	G1/4	51.5	HM3168	MS3172-68	23268K
	OH3268B		440	288	55	72	15	10.0	Tr340x5	-	G1/4	51.5	HM3168	MS3172-68	23268K	
	H3268		440	288	55	72	-	-	Tr340x5	-	-	51.5	HM3168	MS3172-68	23268K	
72	340mm	OH3972H	360	420	144	45	58	9	4.0	Tr360x5	M6	-	25.2	HM3072	MS3072	23972K
		OH3972HB		420	144	45	58	9	4.0	Tr360x5	M6	-	25.2	HM3072	MS3072	23972K
		OH3972		420	144	45	58	13	7.0	Tr360x5	-	G1/8	25.2	HM3072	MS3072	23972K
		OH3972B		420	144	45	58	13	7.0	Tr360x5	-	G1/8	25.2	HM3072	MS3072	23972K
		H3972		420	144	45	58	-	-	Tr360x5	-	-	25.2	HM3072	MS3072	23972K
		OH3072H		420	188	45	58	9	4.0	Tr360x5	M6	-	29.0	HM3072	MS3072	23072K
		OH3072HB		420	188	45	58	9	4.0	Tr360x5	M6	-	29.0	HM3072	MS3072	23072K
		OH3072		420	188	45	58	13	8.0	Tr360x5	-	G1/8	29.0	HM3072	MS3072	23072K
		OH3072B		420	188	45	58	13	8.0	Tr360x5	-	G1/8	29.0	HM3072	MS3072	23072K
		H3072		420	188	45	58	-	-	Tr360x5	-	-	29.0	HM3072	MS3072	23072K

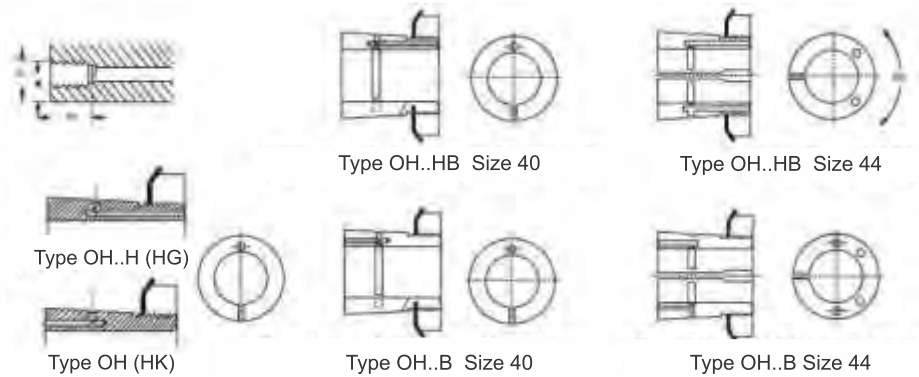
ADAPTER SLEEVE HYDRAULIC SLEEVE

340mm - 380mm



d1	Adapter sleeve Complete Set	d	d3	B1	B2	B3	B4	e	G	G1	in	MASS kg	Lock Nut	Locking Washer	Appropriate Bearing	
72	OH3172H	360mm	380	460	259	58	75	9	4.0	Tr360x5	M6	-	56	HM3172	MS3172-68	23172K
	OH3172HB			460	259	58	75	9	4.0	Tr360x5	M6	-	56	HM3172	MS3172-68	23172K
	OH3172			460	259	58	75	15	9.5	Tr360x5	-	G1/4	56	HM3172	MS3172-68	23172K
	OH3172B			460	259	58	75	15	9.5	Tr360x5	-	G1/4	56	HM3172	MS3172-68	23172K
	H3172			460	259	58	75	-	-	Tr360x5	-	-	56	HM3172	MS3172-68	23172K
	OH3272H			460	299	58	75	9	4.0	Tr360x5	M6	-	60.5	HM3172	MS3172-68	23272K
	OH3272HB			460	299	58	75	9	4.0	Tr360x5	M6	-	60.5	HM3172	MS3172-68	23272K
	OH3272			460	299	58	75	15	10.0	Tr360x5	-	G1/4	60.5	HM3172	MS3172-68	23272K
	OH3272B			460	299	58	75	15	10.0	Tr360x5	-	G1/4	60.5	HM3172	MS3172-68	23272K
	H3272			460	299	58	75	-	-	Tr360x5	-	-	60.5	HM3172	MS3172-68	23272K
	OH3976H			450	164	48	62	9	4.0	Tr380x5	M6	-	31.5	HM3076	MS3080-76	23976K
	OH3976HB			450	164	48	62	9	4.0	Tr380x5	M6	-	31.5	HM3076	MS3080-76	23976K
	OH3976			450	164	48	62	13	7.5	Tr380x5	-	G1/8	31.5	HM3076	MS3080-76	23976K
	OH3976B			450	164	48	62	13	7.5	Tr380x5	-	G1/8	31.5	HM3076	MS3080-76	23976K
	H3976			450	164	48	62	-	-	Tr380x5	-	-	31.5	HM3076	MS3080-76	23976K
OH3076H	450	193	48	62	9	4.0	Tr380x5	M6	-	35.5	HM3076	MS3080-76	23076K			
OH3076HB	450	193	48	62	9	4.0	Tr380x5	M6	-	35.5	HM3076	MS3080-76	23076K			
OH3076	450	193	48	62	13	8.0	Tr380x5	-	G1/8	35.5	HM3076	MS3080-76	23076K			
OH3076B	450	193	48	62	13	8.0	Tr380x5	-	G1/8	35.5	HM3076	MS3080-76	23076K			
H3076	450	193	48	62	-	-	Tr380x5	-	-	35.5	HM3076	MS3080-76	23076K			
OH3176H	490	264	60	77	9	4.0	Tr380x5	M6	-	61.5	HM3176	MS3176	23176K			
OH3176HB	490	264	60	77	9	4.0	Tr380x5	M6	-	61.5	HM3176	MS3176	23176K			
OH3176	490	264	60	77	15	9.5	Tr380x5	-	G1/4	61.5	HM3176	MS3176	23176K			
OH3176B	490	264	60	77	15	9.5	Tr380x5	-	G1/4	61.5	HM3176	MS3176	23176K			
H3176	490	264	60	77	-	-	Tr380x5	-	-	61.5	HM3176	MS3176	23176K			
OH3276H	490	310	60	77	9	4.0	Tr380x5	M6	-	69.5	HM3176	MS3176	23276K			
OH3276HB	490	310	60	77	9	4.0	Tr380x5	M6	-	69.5	HM3176	MS3176	23276K			
OH3276	490	310	60	77	15	10.5	Tr380x5	-	G1/4	69.5	HM3176	MS3176	23276K			
OH3276B	490	310	60	77	15	10.5	Tr380x5	-	G1/4	69.5	HM3176	MS3176	23276K			
H3276	490	310	60	77	-	-	Tr380x5	-	-	69.5	HM3176	MS3176	23276K			
80	OH3980H	380mm	400	470	168	52	66	9	4.0	Tr400x5	M6	-	35.5	HM3080	MS3080-76	23980K
	OH3980HB			470	168	52	66	9	4.0	Tr400x5	M6	-	35.5	HM3080	MS3080-76	23980K
	OH3980			470	168	52	66	13	7.5	Tr400x5	-	G1/8	35.5	HM3080	MS3080-76	23980K
	OH3980B			470	168	52	66	13	7.5	Tr400x5	-	G1/8	35.5	HM3080	MS3080-76	23980K
	H3980			470	168	52	66	-	-	Tr400x5	-	-	35.5	HM3080	MS3080-76	23980K
	OH3080H			470	210	52	66	9	4.0	Tr400x5	M6	-	40.0	HM3080	MS3080-76	23080K
	OH3080HB			470	210	52	66	9	4.0	Tr400x5	M6	-	40.0	HM3080	MS3080-76	23080K
	OH3080			470	210	52	66	13	8.5	Tr400x5	-	G1/8	40.0	HM3080	MS3080-76	23080K
	OH3080B			470	210	52	66	13	8.5	Tr400x5	-	G1/8	40.0	HM3080	MS3080-76	23080K
	H3080			470	210	52	66	-	-	Tr400x5	-	-	40.0	HM3080	MS3080-76	23080K
	OH3180H			520	272	62	82	9	4.0	Tr400x5	M6	-	73.0	HM3180	MS3184-80	23180K
	OH3180HB			520	272	62	82	9	4.0	Tr400x5	M6	-	73.0	HM3180	MS3184-80	23180K
	OH3180			520	272	62	82	15	9.5	Tr400x5	-	G1/4	73.0	HM3180	MS3184-80	23180K
	OH3180B			520	272	62	82	15	9.5	Tr400x5	-	G1/4	73.0	HM3180	MS3184-80	23180K
	H3180			520	272	62	82	-	-	Tr400x5	-	-	73.0	HM3180	MS3184-80	23180K

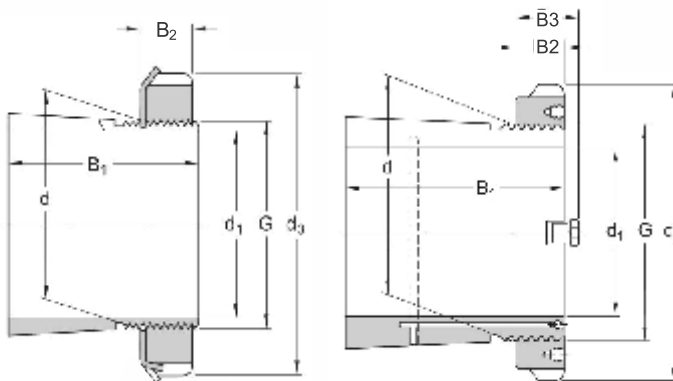
ADAPTER SLEEVE HYDRAULIC SLEEVE 380mm - 410mm



	d1	Adapter sleeve Complete Set	d	d3	B1	B2	B3	B4	e	G	G1	in	MASS kg	Lock Nut	Locking Washer	Appropriate Bearing	
80	380mm	OH3280H	400	520	328	62	82	9	4.0	Tr400x5	M6	-	87.0	HM3180	MS3184-80	23280K	
		OH3280HB		520	328	62	82	9	4.0	Tr400x5	M6	-	87.0	HM3180	MS3184-80	23280K	
		OH3280		520	328	62	82	15	11.0	Tr400x5	-	G1/4	87.0	HM3180	MS3184-80	23280K	
		OH3280B		520	328	62	82	15	11.0	Tr400x5	-	G1/4	87.0	HM3180	MS3184-80	23280K	
		H3280		520	328	62	82	-	-	Tr400x5	-	-	87.0	HM3180	MS3184-80	23280K	
84	400mm	OH3984H	420	490	168	52	66	9	4.0	Tr420x5	M6	-	36.0	HM3084	MS3084	23984K	
		OH3984HB		490	168	52	66	9	4.0	Tr420x5	M6	-	36.0	HM3084	MS3084	23984K	
		OH3984		490	168	52	66	13	7.5	Tr420x5	-	G1/8	36.0	HM3084	MS3084	23984K	
		OH3984B		490	168	52	66	13	7.5	Tr420x5	-	G1/8	36.0	HM3084	MS3084	23984K	
		H3984		490	168	52	66	-	-	Tr420x5	-	-	36.0	HM3084	MS3084	23984K	
			OH3084H		490	212	52	66	9	4.0	Tr420x5	M6	-	47.0	HM3084	MS3084	23084K
			OH3084HB		490	212	52	66	9	4.0	Tr420x5	M6	-	47.0	HM3084	MS3084	23084K
			OH3084		490	212	52	66	13	8.5	Tr420x5	-	G1/8	47.0	HM3084	MS3084	23084K
			OH3084B		490	212	52	66	13	8.5	Tr420x5	-	G1/8	47.0	HM3084	MS3084	23084K
			H3084		490	212	52	66	-	-	Tr420x5	-	-	47.0	HM3084	MS3084	23084K
			OH3184H		540	304	70	90	9	4.0	Tr420x5	M6	-	80.0	HM3184	MS3184-80	23184K
			OH3184HB		540	304	70	90	9	4.0	Tr420x5	M6	-	80.0	HM3184	MS3184-80	23184K
			OH3184		540	304	70	90	15	10.5	Tr420x5	-	G1/4	80.0	HM3184	MS3184-80	23184K
			OH3184B		540	304	70	90	15	10.5	Tr420x5	-	G1/4	80.0	HM3184	MS3184-80	23184K
			H3184		540	304	70	90	-	-	Tr420x5	-	-	80.0	HM3184	MS3184-80	23184K
			OH3284H		540	352	70	90	9	4.0	Tr420x5	M6	-	96.0	HM3184	MS3184-80	23284K
			OH3284HB		540	352	70	90	9	4.0	Tr420x5	M6	-	96.0	HM3184	MS3184-80	23284K
			OH3284		540	352	70	90	15	11.0	Tr420x5	-	G1/4	96.0	HM3184	MS3184-80	23284K
			OH3284B		540	352	70	90	15	11.0	Tr420x5	-	G1/4	96.0	HM3184	MS3184-80	23284K
			H3284		540	352	70	90	-	-	Tr420x5	-	-	96.0	HM3184	MS3184-80	23284K
88	410mm	OH3988H	440	520	189	60	77	12	6.5	Tr440x5	M8	-	58.0	HM3088	MS3092-88	23988K	
		OH3988HB		520	189	60	77	12	6.5	Tr440x5	M8	-	58.0	HM3088	MS3092-88	23988K	
		OH3988		520	189	60	77	15	10.0	Tr440x5	-	G1/4	58.0	HM3088	MS3092-88	23988K	
		OH3988B		520	189	60	77	15	10.0	Tr440x5	-	G1/4	58.0	HM3088	MS3092-88	23988K	
		H3988		520	189	60	77	-	-	Tr440x5	-	-	58.0	HM3088	MS3092-88	23988K	
			OH3088H		520	228	60	77	12	6.5	Tr440x5	M8	-	65.0	HM3088	MS3092-88	23088K
			OH3088HB		520	228	60	77	12	6.5	Tr440x5	M8	-	65.0	HM3088	MS3092-88	23088K
			OH3088		520	228	60	77	15	11.0	Tr440x5	-	G1/4	65.0	HM3088	MS3092-88	23088K
			OH3088B		520	228	60	77	15	11.0	Tr440x5	-	G1/4	65.0	HM3088	MS3092-88	23088K
			H3088		520	228	60	77	-	-	Tr440x5	-	-	65.0	HM3088	MS3092-88	23088K

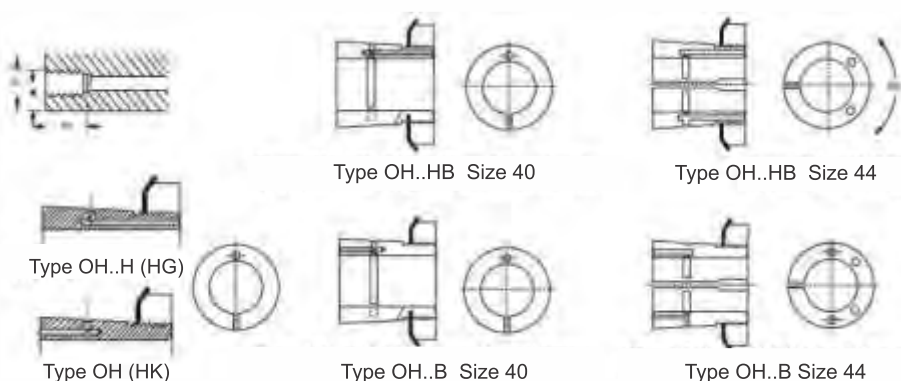
ADAPTER SLEEVE HYDRAULIC SLEEVE

410mm - 450mm



d1	Adapter sleeve Complete Set	d	d3	B1	B2	B3	B4	e	G	G1	in	MASS kg	Lock Nut	Locking Washer	Appropriate Bearing	
88	410mm	OH3188H	440	560	307	70	90	12	6.5	Tr440x5	M8	-	95.0	HM3188	MS3192-88	23188K
		OH3188HB		560	307	70	90	12	6.5	Tr440x5	M8	-	95.0	HM3188	MS3192-88	23188K
		OH3188		560	307	70	90	15	14.0	Tr440x5	-	G1/4	95.0	HM3188	MS3192-88	23188K
		OH3188B		560	307	70	90	15	14.0	Tr440x5	-	G1/4	95.0	HM3188	MS3192-88	23188K
		H3188		560	307	70	90	-	-	Tr440x5	-	-	95.0	HM3188	MS3192-88	23188K
		OH3288H		560	361	70	90	12	6.5	Tr440x5	M8	-	117.0	HM3188	MS3192-88	23288K
		OH3288HB		560	361	70	90	12	6.5	Tr440x5	M8	-	117.0	HM3188	MS3192-88	23288K
		OH3288		560	361	70	90	15	16.0	Tr440x5	-	G1/4	117.0	HM3188	MS3192-88	23288K
		OH3288B		560	361	70	90	15	16.0	Tr440x5	-	G1/4	117.0	HM3188	MS3192-88	23288K
		H3288		560	361	70	90	-	-	Tr440x5	-	-	117.0	HM3188	MS3192-88	23288K
92	430mm	OH3992H	460	540	189	60	77	12	6.5	Tr460x5	M8	-	60.0	HM3092	MS3092-88	23992K
		OH3992HB		540	189	60	77	12	6.5	Tr460x5	M8	-	60.0	HM3092	MS3092-88	23992K
		OH3992		540	189	60	77	15	10.0	Tr460x5	-	G1/4	60.0	HM3092	MS3092-88	23992K
		OH3992B		540	189	60	77	15	10.0	Tr460x5	-	G1/4	60.0	HM3092	MS3092-88	23992K
		H3992		540	189	60	77	-	-	Tr460x5	-	-	60.0	HM3092	MS3092-88	23992K
		OH3092H		540	234	60	77	12	6.5	Tr460x5	M8	-	71.0	HM3092	MS3192-88	23092K
		OH3092HB		540	234	60	77	12	6.5	Tr460x5	M8	-	71.0	HM3092	MS3192-88	23092K
		OH3092		540	234	60	77	15	11.0	Tr460x5	-	G1/4	71.0	HM3092	MS3192-88	23092K
		OH3092B		540	234	60	77	15	11.0	Tr460x5	-	G1/4	71.0	HM3092	MS3192-88	23092K
		H3092		540	234	60	77	-	-	Tr460x5	-	-	71.0	HM3092	MS3192-88	23092K
		OH3192H		580	326	75	95	12	6.5	Tr460x5	M8	-	119.0	HM3192	MS3192-88	23192K
		OH3192HB		580	326	75	95	12	6.5	Tr460x5	M8	-	119.0	HM3192	MS3192-88	23192K
		OH3192		580	326	75	95	15	14.0	Tr460x5	-	G1/4	119.0	HM3192	MS3192-88	23192K
		OH3192B		580	326	75	95	15	14.0	Tr460x5	-	G1/4	119.0	HM3192	MS3192-88	23192K
		H3192		580	326	75	95	-	-	Tr460x5	-	-	119.0	HM3192	MS3192-88	23192K
	OH3292H		580	382	75	95	12	6.5	Tr460x5	M8	-	134.0	HM3192	MS3192-88	23292K	
	OH3292HB		580	382	75	95	12	6.5	Tr460x5	M8	-	134.0	HM3192	MS3192-88	23292K	
	OH3292		580	382	75	95	15	17.0	Tr460x5	-	G1/4	134.0	HM3192	MS3192-88	23292K	
	OH3292B		580	382	75	95	15	17.0	Tr460x5	-	G1/4	134.0	HM3192	MS3192-88	23292K	
	H3292		580	382	75	95	-	-	Tr460x5	-	-	134.0	HM3192	MS3192-88	23292K	
96	450mm	OH3996H	480	560	200	60	77	12	6.5	Tr480x5	M8	-	66.0	HM3096	MS30/500-96	23996K
		OH3996HB		560	200	60	77	12	6.5	Tr480x5	M8	-	66.0	HM3096	MS30/500-96	23996K
		OH3996		560	200	60	77	15	10.0	Tr480x5	-	G1/4	66.0	HM3096	MS30/500-96	23996K
		OH3996B		560	200	60	77	15	10.0	Tr480x5	-	G1/4	66.0	HM3096	MS30/500-96	23996K
		H3996		560	200	60	77	-	-	Tr480x5	-	-	66.0	HM3096	MS30/500-96	23996K

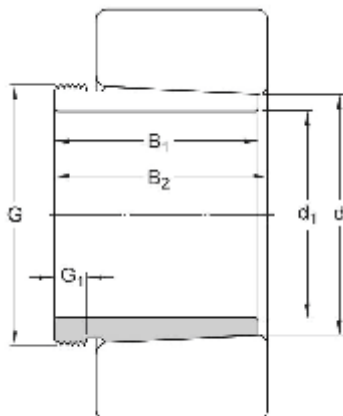
ADAPTER SLEEVE HYDRAULIC SLEEVE 450mm



d1	Adapter sleeve Complete Set	d	d3	B1	B2	B3	B4	e	G	G1	MASS kg	kg	Lock Nut	Locking Washer	Appropriate Bearing	
96	450mm	OH3096H	480	560	237	60	77	12	6.5	Tr480x5	M8	-	75.0	HM3096	MS30/500-96	23096K
	OH3096HB	560	237	60	77	12	6.5	Tr480x5	M8	-	75.0	HM3096	MS30/500-96	23096K		
	OH3096	560	237	60	77	15	11.0	Tr480x5	-	G1/4	75.0	HM3096	MS30/500-96	23096K		
	OH3096B	560	237	60	77	15	11.0	Tr480x5	-	G1/4	75.0	HM3096	MS30/500-96	23096K		
	H3096	560	237	60	77	-	-	Tr480x5	-	-	75.0	HM3096	MS30/500-96	23096K		
	OH3196H	620	335	75	95	12	6.5	Tr480x5	M8	-	135.0	HM3196	MS3196	23196K		
	OH3196HB	620	335	75	95	12	6.5	Tr480x5	M8	-	135.0	HM3196	MS3196	23196K		
	OH3196	620	335	75	95	15	14.0	Tr480x5	-	G1/4	135.0	HM3196	MS3196	23196K		
	OH3196B	620	335	75	95	15	14.0	Tr480x5	-	G1/4	135.0	HM3196	MS3196	23196K		
	H3196	620	335	75	95	-	-	Tr480x5	-	-	135.0	HM3196	MS3196	23196K		
	OH3296H	620	397	75	95	12	6.5	Tr480x5	M8	-	153.0	HM3196	MS3196	23296K		
	OH3296HB	620	397	75	95	12	6.5	Tr480x5	M8	-	153.0	HM3196	MS3196	23296K		
	OH3296	620	397	75	95	15	17.0	Tr480x5	-	G1/4	153.0	HM3196	MS3196	23296K		
	OH3296B	620	397	75	95	15	17.0	Tr480x5	-	G1/4	153.0	HM3196	MS3196	23296K		
	H3296	620	397	75	95	-	-	Tr480x5	-	-	153.0	HM3196	MS3196	23296K		

WITHDRAWAL SLEEVE

35mm - 85mm

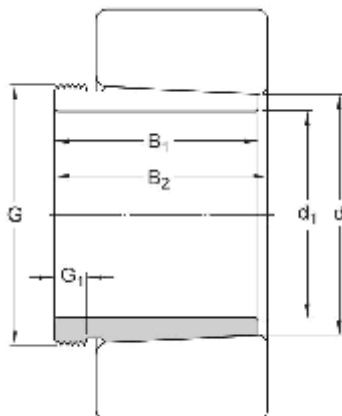


■ Non-Standard

	d1	Withdrawal sleeve Complete Set	d	B1	B2	G	G1	G2	e	MASS kg	Lock Nut	Hydraulic Nut	Appropriate Bearing
08	35mm	AH 308	40	29	32	M45X1.5	6	-	-	0.09	KM9	-	2208K, 1308K
		AH 2308	40	43	M45X1.5	7	-	-	0.13	KM9	-	22208K, 21308K, 2308K, 22308K	
09	40mm	AH 309	45	31	34	M50x1.5	6	-	-	0.12	KM10	HMV10	2209K, 1309K, 22209K, 21309K
		AH 2309	44	47	M50x1.5	7	-	-	0.16	KM10	-	2309K, 22309K	
10	45mm	AHX310	50	35	38	M55X2	7	-	-	0.13	KM11	HMV11	2210K, 1310K, 22210K, 21310K
		AHX2310	50	53	M55X2	9	-	-	0.19	KM11	HMV11	2310K, 22310K	
11	50mm	AHX311	55	37	40	M60X2	7	-	-	0.16	KM12	HMV12	2211K, 1311K, 22211K, 21311
		AHX2311	54	57	M60X2	10	-	-	0.26	KM12	HMV12	2311K, 22311K	
12	55mm	AHX312	60	40	43	M65X2	8	-	-	0.19	KM13	HMV13	2212K, 1312K, 22212K, 21312K
		AHX 2312	58	61	M65X2	11	-	-	0.3	KM13	HMV13	2312K, 22312K,	
13	60mm	AH 313G	65	42	45	M70X2	8	-	-	0.25	KM14	HMV14	2213K, 1313K, 22213K, 21313K
		AH 2313	61	64	M75X2	12	-	-	0.39	KM15	HMV14	2313K, 22313K	
		AH 2314/60	70	64	68	M80X2	12	-	-	0.7	KM16	HMV 16	22314K
14	65mm	AH314G	70	43	47	M75X2	8	-	-	0.29	KM15	HMV 15	22214K, 21314K
		AHX2314	64	68	M80X2	12	-	-	0.45	KM 16	HMV 16	22314K	
		AH 2315/65	75	68	72	M85X2	12	-	-	0.81	KM 17	HMV 17	2315K, 22315K
15	70mm	AH 315G	75	45	49	M 80X2	8	-	-	0.32	KM 16	HMV 16	2215K, 1315K, 22215K, 21315K
		AHX 2315	68	72	M85X2	12	-	-	0.53	KM 17	HMV 17	2315K, 22315K	
		AH 316/70	80	48	52	M90X2	8	-	-	0.58	KM 18	HMV 18	2216K, 1316K, 22216K, 2131 6K
		AH 2316/70	71	75	M90X2	12	-	-	0.92	KM 18	HMV 18	2316K, 22316K	
16	75mm	AH 316	80	48	52	M90X2	8	-	-	0.37	KM 18	HMV 18	2216K, 1316K, 22216K, 21316K
		AHX 2316	71	75	M90X2	12	-	-	0.57	KM 18	HMV 18	2316K, 22316K	
		AH 317/75	85	52	56	M 95X2	9	-	-	0.68	KM 19	HMV 19	2217K, 1317K, 22217K, 21317K
17	80mm	AHX 317	85	52	56	M 95X2	9	-	-	0.43	KM 19	HMV 19	2217K, 1317K, 22217K, 21317K
		AHX 2317	74	78	M 95X2	13	-	-	0.65	KM 19	HMV 19	2317K, 22317K	
18	85mm	AH 318/80	90	53	57	M 100X2	9	-	-	0.73	KM 20	HMV 20	2218K, 1318K, 22218K, 21318K
		AH 3218/80	63	67	M 100X2	10	-	-	0.57	KM 20	HMV 20	23218K	
		AH 2318/80	79	83	M 100X2	14	-	-	1.15	KM 20	HMV 20	2318K, 22318K	
18	85mm	AHX 318	90	53	57	M 100X2	9	-	-	0.46	KM 20	HMV 20	2218K, 1318K, 22218K, 21318K
		AHX 3218	63	67	M100X2	10	-	-	0.57	KM 20	HMV 20	23218K	
		AHX 2318	79	83	M100X2	14	-	-	0.76	KM 20	HMV 20	2318K, 22318K	
18	85mm	AH 319/85	95	57	61	M105X2	10	-	-	0.85	KM 21	HMV 21	2219K, 1319K, 22219K, 21319K
		AH 2319/85	85	89	M 105X2	16	-	-	1.35	KM 21	HMV 21	2319K, 22319K	

WITHDRAWAL SLEEVE

90mm - 120mm

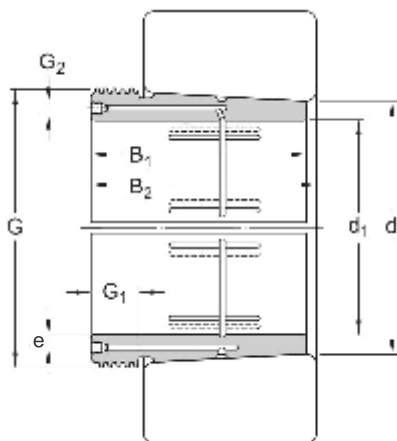


■ Non-Standard

	d1	Withdrawal sleeve Complete Set	d	B1	B2	G	G1	G2	e	MASS kg	Lock Nut	Hydraulic Nut	Appropriate Bearing
19	90mm	AHX319	95	57	61	M105X2	10	-	-	0.54	KM 21	HMV 21	2219K,1319K, 22219K, 21319K
		AHX 2319		85	89	M 105X2	16	-	-	0.9	KM 21	HMV 21	2319K, 22319K
	90mm	AH 320/90	100	59	63	M110X2	10	-	-	0.9	KM 22	HMV 22	2220K, 1320K, 22220K, 21320K
		AH 3120/90		64	68	M110X2	11	-	-	0.66	KM 22	HMV 22	23120K
		AH 3220/90		73	77	M110X2	11	-	-	0.76	KM 22	HMV 22	23220K
AH 2320/90	90	94	M110X2	16	-	-	1.5	KM 22	HMV 22	2320K, 22320K			
20	95mm	AHX 320	100	59	63	M 110X2	10	-	-	0.58	KM 22	HMV 22	2220K, 1320K, 22220K, 21320K
		AHX 3120		64	68	M110X2	11	-	-	0.66	KM 22	HMV 22	23120K
		AHX 3220		73	77	M110X2	11	-	-	0.76	KM 22	HMV 22	23220K
		AHX 2320		90	94	M110X2	16	-	-	1	KM 22	HMV 22	2320K, 22320K
22	100mm	AH 322/100	110	63	67	M 120X2	12	-	-	0.77	KM 24	HMV 24	1322K, 21322K
		AH 3122/100		68	72	M 120X2	11	-	-	1.2	KM 24	HMV 24	2222K, 23122K, 22222K
		AH 3222/100		82	86	M 125X2	11	-	-	1.05	KM 25	HMV 25	23222K
		AH 2322/100		98	102	M 125X2	16	-	-	1.95	KM 25	HMV 25	2322K, 22322K
24	105mm	AHX 322	110	63	67	M 120X2	12	-	-	0.77	KM 24	HMV 24	1322K,21322K
		AHX 3122		68	72	M 120X2	11	-	-	0.76	KM 24	HMV 24	2222K, 23122K, 22222K, 21322K
		AHX 3222		82	86	M 125X2	11	-	-	1.05	KM 25	HMV 25	23222K
		AHX 2322		98	102	M 125X2	16	-	-	1.35	KM 25	HMV 25	2322K, 22322K
		AH 24122		82	91	M 115X2	13	-	-	0.71	KM 23	HMV 23	24122K30
24	110mm	AH 3024/110	120	60	64	M 130X2	13	-	-	0.73	KM 26	HMV 26	22024K
		AH 3124/110		75	79	M 130X2	12	-	-	1.45	KM 26	HMV 26	23124K, 2222224K
		AH 3221/110		90	94	M 135X2	13	-	-	1.3	KM 27	HMV 27	23224K
		AH 2324/110		105	109	M 135X2	17	-	-	2.35	KM 27	HMV 27	22324K
24	115mm	AHX 3024	120	60	64	M 130X2	13	-	-	0.73	KM 26	HMV 26	23024K
		AH4X 3124		75	79	M 130X2	12	-	-	0.94	KM 26	HMV 26	23124K, 22224K
24	115mm	AHX 3224	120	90	94	M 135X2	13	-	-	1.3	KM 27	HMV 27	23224K
		AHX 2324		105	109	M 135X2	17	-	-	1.65	KM 27	HMV 27	22324K
		AH 24024		73	82	M 125X2	13	-	-	0.7	KM 25	HMV 25	24024K30
		AH 24124		93	102	M 130X2	13	-	-	1	KM 26	HMV26	24124K30
26	115mm	AH 3026/115	130	67	71	M 140X2	14	-	-	0.91	KM 28	HMV 28	23026K
		AH 3126/115		78	82	M 140X2	12	-	-	2.2	KM 28	HMV 28	23126K, 22226K
		AH 3226/115		98	102	M 145X2	15	-	-	1.55	KM 29	HMV 29	23226K
		AH 2326/115		115	119	M145X2	19	-	-	3.6	KM 29	HMV 29	22326K
26	125mm	AHX 3026	130	67	71	M 140X2	14	-	-	0.91	KM 28	HMV 28	23026K
		AHX 3126		78	82	M 140X2	12	-	-	1.1	KM 28	HMV 28	23126K, 22226K
		AHX 3226		98	102	M 145X2	15	-	-	1.55	KM 29	HMV 29	23226K
		AHX 2326		115	119	M 145X2	19	-	-	2	KM 29	HMV 29	22326K
		AH 24026		83	93	M135X2	14	-	-	0.88	KM 27	HMV 27	24026K30
		AH 24126		94	104	M140X2	14	-	-	1.15	KM 28	HMV 28	24126K30

WITHDRAWAL SLEEVES HYDRAULIC SLEEVES

125mm - 150mm

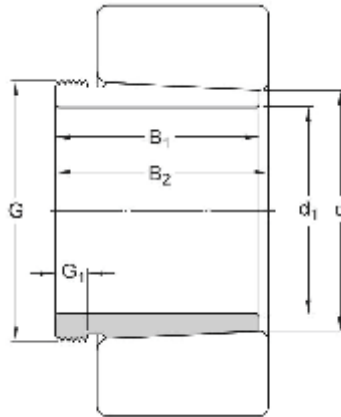


■ Non-Standard

d1	Withdrawal sleeve Complete Set	d	B1	B2	G	G1	G2	e	MASS kg	Lock Nut	Hydraulic Nut	Appropriate Bearing
125mm	AH 3028/125	140	68	73	M150X2	14	-	-	1	KM 30	HMV 30	23028K
	AH 3128/125		83	88	M150X2	14	-	-	2.5	KM 30	HMV 30	23128K, 22228K
	AH 3228/125		104	109	M155X3	15	-	-	1.85	KM 31	HMV 31	23228K
	AH 2328/125		125	130	M155X3	20	-	-	4.3	KM 31	HMV 31	22328K
135mm	AHX 3028	140	68	73	M150X2	14	-	-	1	KM 30	HMV 30	23028K
	AHX 3128		83	88	M150X2	14	-	-	1.3	KM 30	HMV 30	23128K, 22228K
	AHX 3228		104	109	M155X3	15	-	-	1.85	KM 31	HMV 31	23228K
	AHX 2328		125	130	M155X3	20	-	-	2.35	KM 31	HMV 31	22328K
	AH 24028		83	93	M145X2	14	-	-	0.95	KM 29	HMV 29	24028K
	AH 24128		99	109	M150X2	14	-	-	1.3	KM 30	HMV 30	24128K
140mm	AH 3030/135	150	72	77	M160X3	15	-	-	1.15	KM 32	HMV 32	23030K
	AH 3130/135		96	101	M165X3	15	-	-	3.4	KM 33	HMV 33	23130K, 22230K
	AH 3230/135		114	119	M165X3	17	-	-	2.2	KM 33	HMV 33	23230K
	AH 2330/135		135	140	M165X3	24	-	-	5.1	KM 33	HMV 33	22330K
140mm	AH 2332/140	160	140	146	M180X3	24	-	-	7.25	KM 36	HMV 36	22332K
	AH 3132/140		103	108	M 180X3	16	-	-	4.25	KM 36	HMV 36	23132K, 22230K
145mm	AHX 3030	150	72	77	M160X3	15	-	-	1.15	KM 32	HMV 32	23030K
	AHX 3130		96	101	M165X3	15	-	-	1.8	KM 33	HMV 33	23130K, 22230K
	AHX 3230		114	119	M165X3	17	-	-	2.2	KM 33	HMV 33	23230K
	AHX 2330		135	140	M165X3	24	-	-	2.8	KM 33	HMV 33	22330K
	AH 24030		90	101	M155X3	15	-	-	1.05	KM 31	HMV 31	24030K30
	AH 24130		115	126	M160X3	15	-	-	1.55	KM 32	HMV 32	24130K30
150mm	AH 3032	160	77	82	M170X3	16	-	-	2.05	KM 34	HMV 34	23023K
	AOH 3032		77	82	M170X3	16	M6	4	2.05	KM 34	HMV 34	23023K
	AH 3132		103	108	M180X3	16	-	-	3.2	KM 36	HMV 36	23132K, 22232K
	AOH 3132		103	108	M180X3	16	M6	4	3.2	KM 36	HMV 36	23132K, 22232K
	AH 3232		124	130	M180X3	20	-	-	4	KM 36	HMV 36	23232K
	AOH 3232		124	130	M180X3	20	M6	4	4	KM 36	HMV 36	23232K
	AH 2332		140	146	M180X3	24	-	-	4.65	KM 36	HMV 36	22332K
	AOH 2332		140	146	M180X3	24	M6	4	4.65	KM 36	HMV 36	22332K
	AH 24032		95	106	M170X3	15	-	-	2.3	KM 34	HMV34	24032K30
	AH 24132		124	135	M170X3	15	-	-	3	KM 34	HMV34	24132K30
	AH 2334/150	170	146	152	M 190X3	24	-	-	8.05	KM 38	HMV34	22334K
	AH 3134/150		104	109	M190X3	16	-	-	5.4	KM 38	HMV34	23134K, 22234K
160mm	AH 3034	170	85	90	M 180X3	17	-	-	2.45	KM 36	HMV 38	23034K
	AOH 3034		85	90	M180X3	17	M6	4.5	2.45	KM 36	HMV 38	23034K
	AH 3134		104	109	M190X3	16	-	-	3.45	KM 38	HMV 38	23134K, 22234K

WITHDRAWAL SLEEVES HYDRAULIC SLEEVES

160mm - 180mm

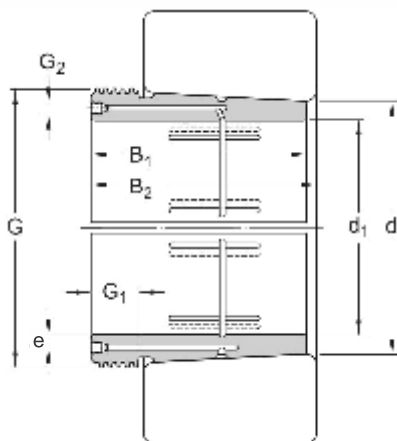


■ Non-Standard

d1	Withdrawal sleeve Complete Set	d	B1	B2	G	G1	G2	e	MASS kg	Lock Nut	Hydraulic Nut	Appropriate Bearing	
34	A0H 3134		104	109	M190X3	16	M6	4.5	3.45	KM 38	HMV 38	23134K, 22234K	
	AH 3234		134	140	M190X3	24		4.8	4.8	KM 38	HMV 38	23234K	
	A0H 3234		134	140	M190X3	24	M6	4.5	4.8	KM 38	HMV 38	23234K	
	AH 2334		146	152	M190X3	24		5.25	5.25	KM 38	HMV 38	22334K	
	A0H 2334		146	152	M190X3	24	M6	4.5	5.25	KM 38	HMV 38	22334K	
	AH 24034		106	117	M180X3	16		2.7	2.7	KM 36	HMV 38	24034K30	
	AH 24134		125	136	M180X3	16		3.25	3.25	KM 36	HMV 38	24134K30	
	AH 2236/160	180	105	110	M200X3	17	-	-	5.8	KM 40	HMV40	22236K	
	AH 2336/160		54	60	M200X3		-	-	9.15	KM 40	HMV 40	22336K	
36	AH 2236	170mm	180	105	110	M200X3	17	-	3.75	KM40	HMV40	222236K	
	A0H 2236			105	110	M200X3	17	M6	4.5	3.75	KM40	HMV40	222236K
	AH 2336			154	160	M200X3	26	-	6.05	KM40	HMV40	22236K	
	A0H 2336			154	160	M200X3	26	M6	4.5	6.05	KM40	HMV40	22236K
	AH 3036			92	98	M190X3	17	-	2.8	KM38	HMV38	23036K	
	A0H 3036			92	98	M190X3	17	M6	4.5	2.8	KM38	HMV38	23136K
	AH 3136			116	122	M200X3	19	-	4.25	KM40	HMV40	23136K	
	A0H 3136			116	122	M200X3	19	M6	4.5	4.25	KM40	HMV40	23236K
	AH3236			140	146	M200X3	24	-	5.25	KM40	HMV40	23236K	
	A0H 3236			140	146	M200X3	24	M6	4.5	5.25	KM40	HMV40	23236K
	AH24036			116	127	M190X3	16	-	3.2	KM 38	HMV38	24036 K30	
	AH 24136			134	145	M190X3	16	-	3.75	KM 38	HMV38	24036 K30	
		AH 2238/170	190	112	117	Tr210X4	18	-	-	6.65	HM42 T	HMV 42	22238K
		AH 2338/170		160	167	Tr210X4	26	-	-	10.1	HM42 T	HMV 42	22238K
	38	AH2238	180mm	190	112	117	Tr210X4	18	-	4.25	HM42 T	HMV42	22238K
A0H2238				112	117	Tr210X4	18	M6	4.5	4.25	HM42 T	HMV42	22238K
AH2338				160	167	Tr210X4	26	-	6.7	HM42T	HMV42	22338K	
A0H2338				160	167	Tr210X4	26	M6	4.5	6.7	HM42T	HMV42	22338K
AH3038				96	102	Tr205X4	18	-	3.4	HML41T	HMV41	23038K	
A0H3038				96	102	Tr205X4	18	M6	4.5	3.4	HML41T	HMV41	23038K
AH3138				125	131	Tr210X4	20	-	4.9	HM42T	HMV42	23138K	
A0H3138				125	131	Tr210X4	20	M6	4.5	4.9	HM42T	HMV42	23138K
AH3238				145	152	Tr210X4	25	-	5.9	HM42T	HMV42	23238K	
		A0H 3238	190	145	152	Tr210x4	25	M6	4.5	5.9	HM42 T	HMV42	23238K
		AH 24038		118	131	M200X3	18	-	3.55	KM40	HMV 40	24038K30	
		AH 24138		146	159	M200X3	18	-	4.45	KM40	HMV 40	24138K30	
		AH 2240/180		118	123	Tr220X4	19	-	7.4	HM44 T	HMV 44	22240K	
		AH 2340/180		170	177	Tr220x4	30	-	11.5	HM44 T	HMV 44	22340K	

WITHDRAWAL SLEEVES HYDRAULIC SLEEVES

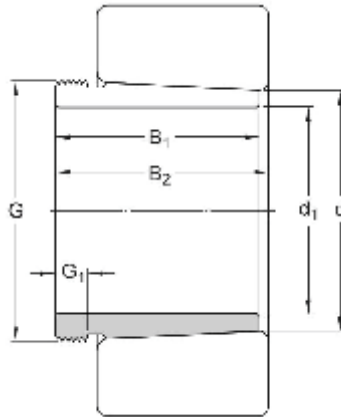
190mm - 280mm



	d1	Withdrawal sleeve Complete Set	d	B1	B2	G	G1	G2	e	MASS kg	Lock Nut	Hydraulic Nut	Appropriate Bearing
40	190mm	AH 2240	200	118	123	Tr220x4	19	-	-	4.7	HM44 T	HMV44	22240K
		AOH 2240		118	123	Tr220x4	19	M6	4.5	4.7	HM44 T	HMV44	22240K
		AH 2340		170	177	Tr220x4	30	-	-	7.6	HM 44T	HMV44	22340K
		AOH 2340		170	177	Tr220x4	30	M6	4.5	7.6	HM 44T	HMV44	22340K
		AH 3040		102	108	Tr215X4	19	-	-	3.85	HML43 T	HMV43	23040K
		AOH 3040		102	108	Tr215X4	19	M6	4	3.85	HML43 T	HMV43	23040K
		AH 3140		134	140	Tr220x4	21	-	-	5.65	HM44 T	HMV44	23140K
		AOH 3140		134	140	Tr220x4	21	M6	4.5	5.65	HM44 T	HMV44	23140K
		AH 3240		153	160	Tr220x4	25	-	-	6.6	HM44 T	HMV44	23240K
		AOH 3240		153	160	Tr220x4	25	M6	4.5	6.6	HM44 T	HMV44	23240K
		AH 24040		127	140	Tr210x4	18	-	-	4	HM42T	HMV42	24040K30
		AH 24140		158	171	Tr210x4	18	-	-	5.05	HM42T	HMV42	24140K30
44	200mm	AOH 2344	220	181	189	Tr240x4	30	G 1/4	9	13.5	HM48 T	HMV48	23244K, 22344K
		AOH 3044		111	117	Tr235x4	20	G 1/8	7.5	7.4	HML47 T	HMV47	23044K
		AOH 3144		145	151	Tr 240x4	23	G 1/4	9	9.3	HM48 T	HMV48	23144K, 22244K
		AOH 24044		138	152	Tr230X4	20	G 1/8	6.5	8.2	HM46 T	HMV 46	24044K30
		AOH 24104		170	184	Tr230X4	20	G 1/8	6.5	10	HM46 T	HMV 46	24144K30
48	220mm	AOH 2348	240	189	197	Tr 260x4	30	G 1/4	9	14	HM52 T	HMV52	23248K, 22348K
		AOH 3048		116	23	Tr 260x4	21	G 1/4	9	7.95	HM3052	HMV52	23048K
		AOH 3148		154	161	Tr260x4	25	G 1/4	9	1.2	HM52 T	HMV52	23148K, 22248K
		AOH 24048		138	153	Tr 250x4	20	G 1/8	6.5	8.05	HM50 T	HMV50	24048K30
		AOH 24148		180	195	Tr260x4	20	G 1/4	9	11.5	HM52T	HMV52	24148K30
52	240mm	AOH 2252	260	155	161	Tr 290x4	23	G 1/4	9.5	12.5	HM58 T	HMV58 T	22252K3
		AOH 2352		205	213	Tr290x4	30	G 1/4	10.5	17.5	HM58 T	HMV58 T	23252K3, 22325K
		AOH 3052		128	135	Tr 280x4	23	G 1/4	9	9.6	HM3056	HMV56	23052K
		AOH 3152		172	179	Tr290x4	26	G 1/4	9.5	16	HM58 T	HMV58	23152K
		AOH 24052		162	178	Tr 270x4	22	G 1/8	6.5	10.5	HM54 T	HMV54	24052K30
		AOH 24152		202	218	Tr 280x4	22	G1/4	9	14	HM56 T	HMV56	24152K30
56	260mm	AOH 2256	280	155	163	Tr 310x5	24	G1/4	9.5	15	HM62 T	HMV62	22256K
		AOH 2356		212	220	Tr 310X5	30	G1/4	11	19.5	HM62 T	HMV 62	23256K, 22356K
		AOH 3056		131	139	Tr 300x4	24	G1/4	9	11	HM3060	HMV60	23056K
		AOH 3156		175	183	Tr 310x5	28	G1/4	9.5	15.5	HM62 T	HMV 62	23156K
		AOH 24056		162	179	Tr 290x4	22	G1/8	6.5	11.5	HM58 T	HMV 58	24056K30
		AOH 24156		202	219	Tr 300x4	22	G1/4	9	15	HM3160	HMV 60	24156K30
60	280mm	AOH 2260	300	170	178	Tr 330x5	26	G1/4	10	18	HM66 T	HMV66	22260K
		AOH 3060		145	153	Tr 320x5	26	G1/4	9	13	HM3064	HMV64	23060K
		AOH 3160		192	200	Tr 330x5	30	G1/4	10.5	19	HM66 T	HMV66	23160K
		AOH 3260		228	236	Tr 330x5	34	G1/4	11.5	23.5	HM66 T	HMV66	23260K
		AOH 24060		184	202	Tr 310x5	24	G1/8	6.5	14	HM62 T	HMV 62	24060K30
		AOH 24160		224	242	Tr 320x5	24	G 1/4	9	18.5	HM 3164	HMV 64	24160K30

WITHDRAWAL SLEEVES HYDRAULIC SLEEVES

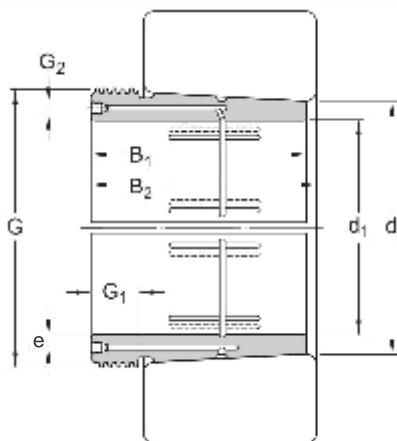
300mm - 400mm



d1	Adapter sleeve Complete Set	d	B1	B2	G	G1	G2	e	MASS kg	Lock Nut	Hydraulic Nut	Appropriate Bearing
64	300mm A0H2264	320	180	190	Tr350x5	27	G 1/4	10	20	HM70T	HMV70	22264K
	A0H3064	149	157	Tr345x5	27	G 1/4	9.5	14.5	HML69T	HMV69	23064K	
	A0H3164	209	217	Tr350x5	31	G 1/4	10.5	22.5	HM70T	HMV70	23164K	
	A0H3264	246	254	Tr350x5	36	G 1/4	12	27.5	HM70T	HMV70	23264K	
	A0H24064	184	202	Tr330x5	24	G 1/8	6.5	15	HM66T	HMV66	2464K30	
	A0H24164	242	260	Tr340X5	24	G 1/4	9	20.5	HM3168	HMV68	24164K30	
68	320mm AOH 3068	340	162	171	Tr 365x5	28	G 1/4	9.5	17.5	HML73T	HMV73	23068K
	AOH 3168	225	234	Tr 370x5	33	G 1/4	11	26.5	HM74T	HMV74	23168K	
	AOH 3268	264	273	Tr 370x5	38	G 1/4	12.5	32	HM74T	HMV74	23268K	
	AOH 24068	206	225	Tr 360x5	26	G 1/4	9	18	HM3072	HMV72	24068K30	
	AOH 24168	269	288	Tr 360x5	26	G 1/4	9	25.5	HM31 72	HMV72	24168K30	
72	340mm AOH3072	360	167	176	Tr365x5	30	G 1/4	9.5	19	HML77T	HMV77	23072K
	AOH 3176	229	238	Tr 400x5	35	G 1/4	11	30	HM3180	HMV80	23172K	
	AOH 3272	274	283	Tr 400x5	40	G 1/4	13	33	HM3180	HMV80	23272K	
	AOH 24072	206	226	Tr 380x5	26	G 1/4	9	20	HM7076	HMV76	24072K30	
	AOH 24172	269	289	Tr 380x5	26	G 1/4	9	26	HM3176	HMV76	24172K30	
76	360mm AOH 3076	380	170	180	Tr 410X5	31	G 1/4	9.5	23.5	HML82T	HMV82	23076K
	AOH 3176	232	242	Tr 420X5	36	G 1/4	11	38	HM3184	HMV84	23176K	
	AOH 3276	284	294	Tr420X5	42	G 1/4	13	45.5	HM3184	HMV84	23276K	
	AOH 24076	208	228	Tr 400X5	28	G 1/4	9	23.5	HM 3080	HMV80	24076K30	
	AOH 24176	271	291	Tr 400X5	28	G 1/4	9	31	HM 3180	HMV80	24176K30	
80	380mm AOH3080	400	183	193	Tr430x5	33	G 1/4	10	27	HML86T	HMV86	23080K
	AOH3180	240	250	Tr440x5	38	G 1/4	11.5	39.5	HM3188	HMV88	23180K	
	AOH3280	302	312	Tr440x5	44	G 1/4	14	51.5	HM3188	HMV88	23280K	
	AOH 24080	228	248	Tr 420X5	28	G 1/4	9.0	27	HM3084	HMV84	24080K30	
	AOH 24180	278	298	Tr 420x5	28	G 1/4	9.0	35	HM3184	HMV84	24180K30	
84	400mm AOH 3084	420	186	196	Tr 450X5	34	G 1/4	10.0	29	HML90T	HMV90	23084K
	AOH 3184	266	276	Tr 460X5	40	G 1/4	12.5	46	HM3192	HMV92	23184K	
	AOH 3284	321	331	Tr 460X5	46	G 1/4	14.0	59	HM3192	HMV92	23284K	
	AOH 24084	230	252	Tr 440X5	30	G 1/4	9.0	29	HM3068	HMV88	24084K30	
	AOH 24184	210	332	Tr 440X5	30	G 1/4	9.0	39	HM3188	HMV88	24184K30	

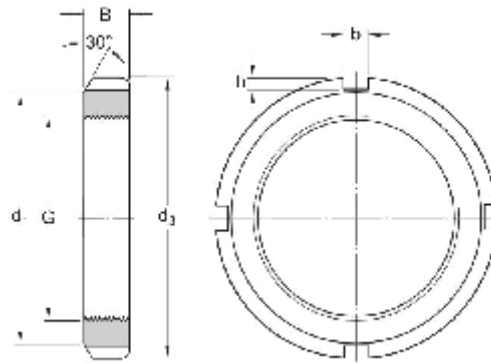
WITHDRAWAL SLEEVES HYDRAULIC SLEEVES

420mm - 460mm



	d1	Adapter sleeve Complete Set	d	B1	B2	G	G1	G2	e	MASS kg	Lock Nut	Hydraulic Nut	Appropriate Bearing
88	420mm	AOHX 3088	440	194	205	Tr 470X5	35	G 1/4	10.5	31.9	HML94T	HMV94	23088K
		AOHX 3188		270	281	Tr 480X5	42	G 1/4	12.5	50	HM3196	HMV96	23188K
		AOHX 3288		330	341	Tr 480X5	48	G 1/4	14.5	64.4	HM3196	HMV96	23288K
		AOH 24088		242	264	Tr 460X5	30	G 1/4	9.0	32	HML92T	HMV92	24088K30
		AOH 24188		310	332	Tr 460X5	30	G 1/4	9.0	45.5	HM3192	HMV92	24188K30
92	440mm	AOHX 3092	460	202	213	Tr 490X5	37	G 1/4	11.0	35	HML98T	HMV98	23092K
		AOHX 3192		285	296	Tr 510X6	43	G 1/4	13.0	58	HM102T	HMV102	23192K
		AOHX 3292		349	360	Tr 510X6	50	G 1/4	15.0	75.3	HM102T	HMV102	23292K
		AOH 24092		250	273	Tr 480X5	32	G 1/4	9.0	34.7	HML96T	HMV96	24092K30
		AOH 24192		332	355	Tr 480X5	32	G 1/4	9.0	50	HM3196	HMV96	24192K30
96	460mm	AOHX 3096	480	205	217	Tr 520X6	38	G 1/4	11.0	39.6	HML104T	HMV104	23096K
		AOHX 3196		295	307	Tr 530X6	45	G 1/4	13.5	63	HM31/530	HMV106	23196K
		AOHX 3296		364	376	Tr 530X6	52	G 1/4	15.5	82.5	HM31/530	HMV106	23296K
		AOH 24096		250	273	Tr 500x5	32	G 1/4	9.0	36.6	HML100T	HMV100	24096K30
		AOH 24196		340	363	Tr 500X5	32	G 1/4	9.0	51.5	HM31/530	HMV100	24196K30

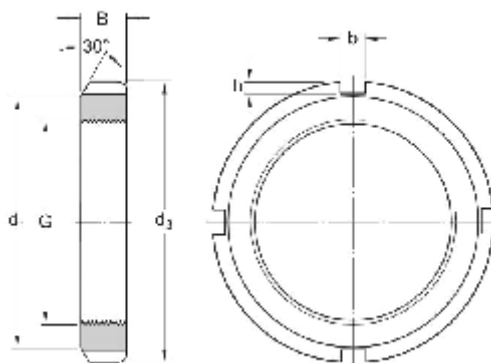
LOCK NUT



Lock Nut	G	d1	d3	b	B	h	MASS kg
KM 0	M 10X0.75	13.5	18	4	3	2	0.006
KM 1	M 12X1	17	22	4	3	2	0.008
KM 2	M 15X1	21	25	5	4	2	0.012
KM 3	M 17X1	24	28	5	4	2	0.012
KM 4	M 20X1	26	32	6	4	2	0.02
KM 5	M 25X1.5	32	38	7	5	2	0.028
KM 6	M 20X1.5	38	45	7	5	2	0.038
KM 7	M 35X1.5	44	52	8	5	2	0.058
KM 8	M 40X1.5	50	58	9	6	2.5	0.078
KM 9	M 45X1.5	56	65	10	6	2.5	0.11
KM 10	M 50X1.5	61	70	11	6	2.5	0.14
KM 11	M 55X2	67	75	11	7	3	0.15
KM 12	M 60X2	73	80	11	7	3	0.16
KM 13	M 65X2	79	85	12	7	3	0.19
KM 14	M 70X2	85	92	12	8	3.5	0.22
KM 15	M 75X2	90	98	13	8	3.5	0.27
KM 16	M 80X2	95	105	15	8	3.5	0.36
KM 17	M 85X2	102	110	16	8	3.5	0.42
KM 18	M 90X2	108	120	16	10	4	0.51
KM 19	M 95X2	113	125	17	10	4	0.58
KM 20	M 100X2	120	130	18	10	4	0.68
KM 21	M 105X2	126	140	18	12	5	0.81
KM 22	M 110X2	133	145	19	12	5	0.89
KM 23	M 115X2	137	150	19	12	5	0.91
KML 24	M 120X2	135	145	20	12	5	0.69
KM 24		138	155	20	12	5	0.98
KM 25	M 125X2	148	160	21	12	5	1.10
KML 26	M 130X2	145	155	21	12	5	0.84
KM 26		149	165	21	12	5	1.20
KM 27	M 135X2	160	175	22	14	6	1.40
KML 28	M 140X2	155	165	22	12	5	0.92
KM 28		160	180	22	14	6	1.40
KM 29	M 145X2	171	190	24	14	6	1.85
KML 30	M 150X2	170	180	24	14	5	1.30
KM 30		171	195	24	14	6	1.85

Lock Nut	G	d1	d3	b	B	h	MASS kg
KM 31	M155X3	182	200	25	16	7	2.05
KML 32	M160X3	180	190	25	14	5	1.40
KM 32		182	210	25	16	7	2.25
KM 33	M165X3	193	210	26	16	7	2.30
KML 34	M170X3	190	200	26	16	5	1.60
KM 34		193	220	26	16	7	2.55
KML 36	M180X3	200	210	27	16	5	1.80
KM 36		203	230	27	18	8	2.70
KML 38	M190X3	210	220	28	16	5	1.9
KM 38		214	240	28	18	8	3.00
KML 40	M200X3	222	240	29	18	8	2.60
KM 40		226	250	29	18	8	3.30
HML41T	Tr205x4	232	250	30	18	8	3.2
HM12T	Tr210x4	238	270	30	20	10	5.1
HML43T	Tr215x4	242	260	30	20	9	3.3
HM44T	Tr220x4	250	280	32	20	10	4.75
HM46T	Tr230x4	260	290	34	20	10	5.45
HML47T	Tr235x4	262	280	34	20	9	4.1
HM48T	Tr240x4	270	300	34	20	10	5.6
HM50T	Tr250X4	290	320	36	20	10	7.45
HML 52T	Tr 260x4	290	310	34	20	10	5.8
HM 52 T		300	330	36	24	12	7.55
HM 54 T	Tr 270x4	310	340	38	24	12	8.3
HML 56 T	Tr 280x4	310	330	38	24	10	6.72
HM 56 T		320	350	38	24	12	8.65
HM 58T	Tr 290x4	330	370	40	24	2	10.5
HML 60T	Tr 300X4	336	360	40	24	12	9.6
HM 60 T		340	380	40	24	12	12
HM 62 T	Tr 310x4	350	390	42	24	12	13
HML 64 T	Tr 320X4	356	380	42	24	12	10.5
HM64T	Tr320X5	360	400	42	24	12	13.5
HM66T	Tr330X5	380	420	52	28	15	20.0
HM68T	Tr340X5	400	440	55	28	15	24.5
HML69T	Tr345X5	384	410	45	28	13	13

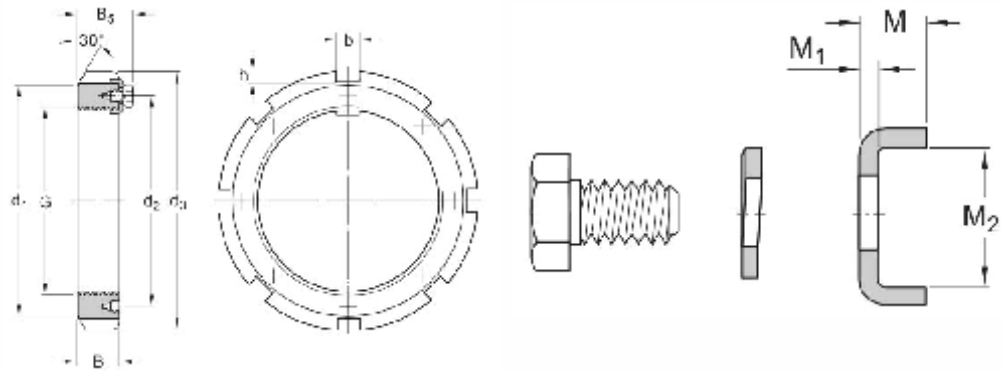
LOCK NUT



Lock Nut	G	d1	d3	b	B	h	MASS kg
HM 70 T	Tr350X5	410	450	55	28	15	25
HML 72 T	Tr360X5	394	420	45	28	13	12.1
HM 72 T		420	460	58	28	15	27.5
HML 73 T	Tr365X5	404	430	48	28	13	14.2
HM 73 T	Tr370X5	404	430	48	28	13	14
HML 76 T	Tr 380X5	422	450	48	28	14	16
HM 77 T		422	450	48	28	14	15
HML 77 T	Tr 385X5	422	450	48	2B	14	15
HML 80 T	Tr 400X5	442	470	52	28	14	18.5
HM 80 T		470	520	62	32	18	40
HML82T	Tr 410X5	452	480	52	32	14	19
HML 84T	Tr 420X5	462	490	52	32	14	19.4

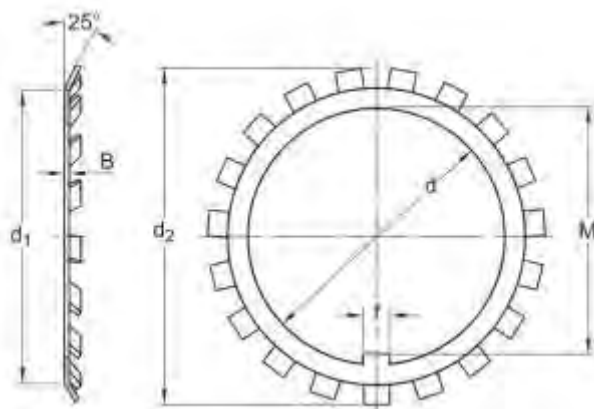
Lock Nut	G	d1	d3	b	B	h	MASS kg
HM84T	Tr 425X5	490	540	70	32	18	47
HML 86T	Tr 430X5	472	500	52	32	14	20
HML 88T	Tr 440X5	490	520	60	32	15	27
HM 88T	Tr 440X5	510	560	70	36	20	48.5
HML 90 T	Tr 450X5	490	520	60	32	15	24
HML92 T	Tr 460X5	510	540	60	32	15	28
HM 92 T	Tr 460X5	540	580	75	36	20	55
HML 94 T	Tr 470X5	510	540	60	32	15	25
HML96 T	Tr 480X5	530	560	60	36	15	29.5
HM 96 T	Tr 480X5	560	620	75	36	20	67
HML 98 T	Tr 490X5	550	580	60	36	15	34
HML 100T	Tr 500X5	550	580	68	36	15	35
HM 100T	Tr 500X5	590	630	80	40	23	69

LOCK NUT, LOCKING CLIP, SCREW AND SPRING WASHER



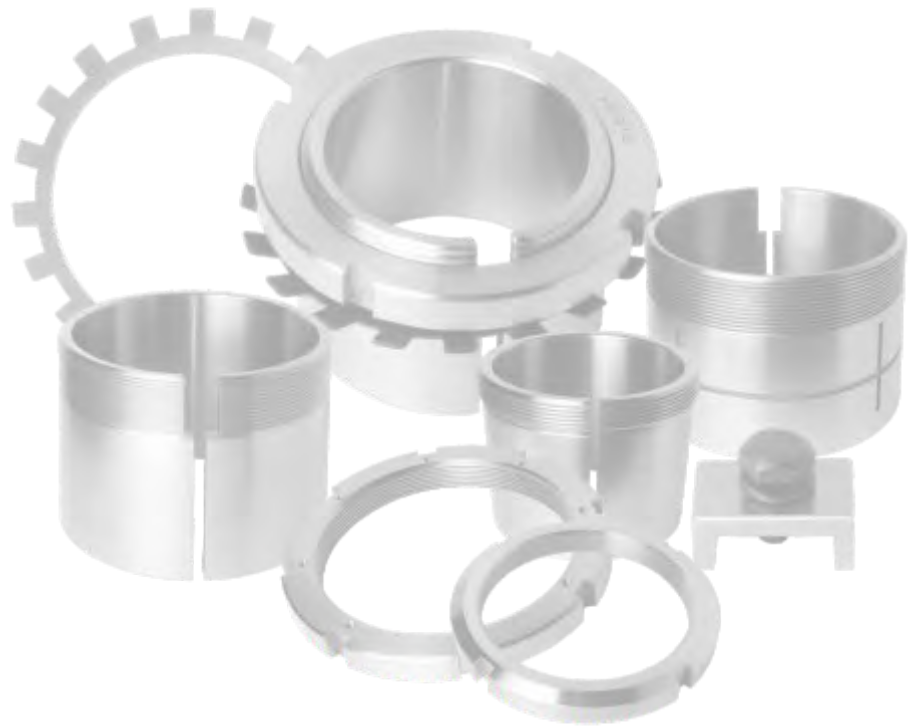
G	Lock nut+ locking clip, screw, spring washer	d1	d2	d3	B	B1	b	h	M	M1	M2	Mass kg	Hexagon-headed screw(DIN 933)
Tr 220x4	HM 3044+ MS 3044	242	229	260	30	41	20	9	12	4	13.5	2.75	M 6X12
	HM 3144+MS 3144	250	238	280	32	43	20	10	12	4	22.5	5.27	M 6X12
Tr 204X4	HM 3048+ MS 3052-48	270	253	290	34	46	20	10	12	4	17.5	4.5	M 8X16
	HM 3148+ MS 3148	270	258	300	34	46	20	10	12	4	32.5	5.98	M 8X16
Tr 260X4	HM 3052+ MS3052-48	290	273	310	34	46	20	10	12	4	17.5	4.8	M 8X16
	HM 3152+ MS3152	300	281	330	36	48	24	12	12	4	25.5	5.98	M 8X16
Tr 280X4	HM 3056+ MS 3056	310	293	330	38	50	24	10	12	4	17.5	5.75	M 8X16
	HM 3156+ MS 3156	320	301	350	38	50	24	12	12	4	25.5	9.09	M 8X1 6
Tr 300X4	HM 3060+ MS 3060	336	316	360	42	54	24	12	12	4	20.5	8.35	M 8X16
	HM 3160+ MS 3160	340	326	380	42	53	24	12	12	4	30.5	11.5	M 10X20
Tr 320X5	HM 3064+ MS 3064-64	356	336	380	42	55	24	12	12	5	21	9	M 8X 16
	HM 3164+ MS 3164	360	346	400	42	56	24	12	12	5	31	13	M 10X20
Tr 340X5	HM 3068+ MS 3068-64	376	356	400	45	58	21	12	15	5	21	11	M 8X 16
	HM 3168+ MS 3172-68	400	373	440	55	72	28	15	15	5	38	24	M 12X25
Tr 360X5	HM 3072+ MS 3072	394	375	420	45	58	28	13	15	5	20	11.5	M 8X16
	HM 3172+ MS 3172-68	420	393	460	58	75	28	15	15	5	38	26.5	M 12X25
Tr 380X5	HM 3076 + MS 3080-75	422	399	450	48	62	28	14	15	5	24	15	M 10X20
	HM 3176+ MB 3176	450	415	490	60	77	32	18	15	5	40	32	M16X30
Tr 400X5	HM 3080 +MS 3080-76	422	419	470	52	66	28	14	15	5	24	17	M 10X20
	HM 3180 +MS 3184-80	470	440	520	62	82	32	18	15	5	45	38	M 16X30
Tr 420X5	HM 3084 +MS 3084	462	439	490	52	66	32	14	15	5	24	18.5	M 10X20
	HM 3184 +MS 3184-80	490	460	540	70	90	32	18	15	5	45	45	M 16X30
Tr 440X5	HM 3088 +MS 3092-88	490	463	520	60	77	32	15	15	5	28	26	M 12X25
	HM 3188 +MS 3192-88	510	478	560	70	90	36	20	15	5	43	46.5	M 16X30
Tr 460x5	HM 3092 +MS 3092-88	510	483	540	60	77	32	15	15	5	28	27	M 12X25
	HM 3192 +MS 3192-88	540	498	580	75	95	36	20	15	5	43	50.5	M 16X30
Tr 480X 5	HM 3096 +MS 30/500-96	530	503	560	60	77	36	15	15	5	28	28	M 12X25
	HM 3196 +MS 3196	560	528	620	75	95	36	20	15	5	53	62	M 16X30
Tr 500X5	HM 30/500 +MS 30/500-96	550	523	580	68	85	36	15	15	5	28	33.5	M 12X25
	HM 31/500 +MS 31/500	580	540	630	80	100	40	23	15	5	45	63.5	M 16X30

LOCK WASHERS



d mm	Lock Washer	d1	d3	B	f	M	gm
10	MB 0	13.5	21	1.00	3.0	8.5	1
12	MB 1	17.0	25	1.00	3.0	10.5	2
15	MB 2	21.0	28	1.00	4.0	13.5	3
17	MB 3	24.0	32	1.00	4.0	15.5	3
20	MB 4	26.0	36	1.00	4.0	18.5	4
25	MB 5	32.0	42	1.25	5.0	23.0	6
30	MB 6	38.0	49	1.25	5.0	27.5	8
35	MB 7	44.0	57	1.25	6.0	32.5	11
40	MB 8	50.0	62	1.25	6.0	37.5	13
45	MB 9	56.0	69	1.25	6.0	42.5	15
50	MB 10	61.0	74	1.25	6.0	47.5	16
55	MB 11	67.0	81	1.50	8.0	52.5	22
60	MB 12	73.0	86	1.50	8.0	57.5	24
65	MB13	79.0	92	1.50	8.0	62.5	30
70	MB 14	85.0	98	1.50	8.0	66.5	32
75	MB 15	90.0	104	1.50	8.0	71.5	35
80	MB 16	95.0	112	1.75	10.0	76.5	46
85	MB 17	102.0	119	1.75	10.0	81.5	53
90	MB 18	108.0	126	1.75	10.0	86.5	61
95	MB 19	113.0	133	1.75	10.0	91.5	66
100	MB 20	120.0	142	1.75	12.0	96.5	77
105	MB 21	126.0	145	1.75	12.0	100.5	83
110	MB 22	133.0	154	1.75	12.0	105.5	91

d mm	Lock Washer	d1	d3	B	f	M	gm
115	MB 23	137	159	2	12	110.5	107
120	MBL 24	135	152	2	14	115	70
	MB 24	138	164	2	14	115	108
125	MB25	148	170	2	14	120	115
130	MBL 26	145	161	2	14	125	80
	MB 26	149	175	2	14	125	115
135	MB 27	160	185	2	14	130	140
140	MBL 28	155	172	2	16	135	90
	MB 28	160	192	2	16	135	135
145	MB 29	172	202	2	16	140	165
150	MBL 30	170	189	2	16	145	100
	MB 30	171	205	2	16	145	180
155	MB31	182	212	2.5	16	147.5	200
160	MBL 32	180	199	2.5	18	154	140
	MB 32	182	217	2.5	18	154	215
165	MB 33	193	222	2.5	18	157.5	240
170	MBL34	190	211	2.5	18	164	150
	MB34	193	232	2.5	18	164	240
180	MBL36	200	222	2.5	20	174	160
	MB 36	203	242	2.5	20	174	260
190	MBL 38	210	232	2.5	20	184	170
	MB 38	214	252	2.5	20	184	260
200	MBL40	222	245	2.5	20	194	220
	MB 40	226	262	2.5	20	194	280
220	MB 44	250	292	3	24	213	350
240	MB 48	270	312	3	24	233	450
260	MB 52	300	342	3	28	253	650
280	MB 56	320	362	3	28	273	1050



DPK INDIA

C-47, Cannal Complex, Cannal Road,
Industrial Area, Jalandhar 144 004 INDIA

Customer Care No.: 7087333175

ibisleeves@gmail.com

www.ibisleeves.com

